



MATERIAL HANDLING PRODUCTS



One Million Square Feet
of Production Facilities



DREXEL

SLT30AC SLT35AC

ANYTHING ELSE is a **WASTE** of **SPACE!**

STANDARD FEATURES

- Three-Wheel Configuration
- Rear-Wheel Drive and Steering
- High Visibility Mast (3 or 4-Stage)
- 90° Pivoting and Shifting Mast
- 48 Volt Electrical System
- Single Joystick Control Lever
- Adjustable Driver's Seat (15° Swivel Seat)
- Safety Seat Switch – Cuts Power
- Seat Belts
- Parking Brake - Electric, Mechanically Applied, Electrically Released
- Hydraulic Service Front Wheel Brakes
- AC Traction and Hydraulic Controllers with Lift Interrupt
- Full Diagnostic Interactive Display with Battery Discharge Indicator and Hour Meter
- Automatic Return-to-Neutral
- SB 350 Blue Battery Connector
- Key Switch
- Covered Battery Compartment
- Battery Compartment Rollers
- Cushion Rubber Drive Tire (1)
- Polyurethane Load Tires (2)
- Horizontal Fork Indicator
- 4-Post Adjustable Overhead Guard, Meets ANSI B56.1
- Load Backrest
- Horn
- UL 583 Type E, UL Listed



Scan the QR Code to Learn More!



OPTIONAL FEATURES

- Landguide Wire Guidance
- Non-Standard Fork Lengths
- Dual Overhead Guard-Mounted LED Headlights
- Dual Rear Safety LED Light Bars
- Safety Flashing LED Light
- Backup Alarm – Beeping Tone (“Smart” dB Adjusting)
- Fire Extinguisher – OHG Post Mounted
- Cold Storage Conditioning to -22°F (-30°C)
- Lazer Fork Height Indicator
- Fork Positioner
- Keyless Key Pad On-Off
- UL 583 Type EE Electrical Rating, UL Listed
- Single Auxiliary Hydraulics

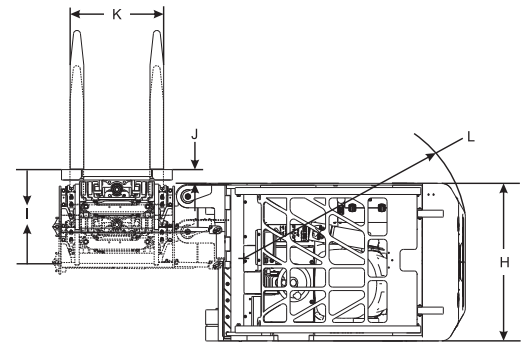
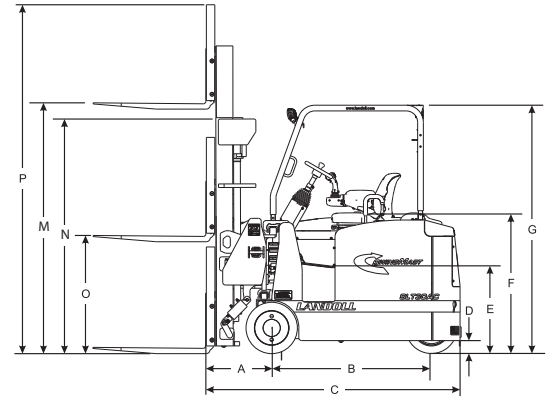


SLT30AC / SLT35AC

4-Wheel VNA Swing Mast™ Electric Multi-Purpose Pallet Load Handler and Long Load Side Loader

TECHNICAL DATA

MODEL				SLT30AC	SLT35AC
Capacity at 24" L/C			lbs/kg	3,000 / 1,361	3,500 / 1,588
Load Center			in/mm	24 / 600	24 / 600
Power Source				Battery, Electric 48V	Battery, Electric 48V
Weight with Battery			lbs/kg	13,225 / 5,999	13,550 / 6,146
Travel Speed	Loaded		mph/kph	6 / 9.7	6 / 9.7
	Unloaded		mph/kph	7 / 11.3	7 / 11.3
Lift Speed	Loaded		fpm/mpm	95 / 29	95 / 29
	Unloaded		fpm/mpm	110 / 33.5	110 / 33.5
Lower Speed	Loaded		fpm/mpm	80 / 24.4	80 / 24.4
	Unloaded		fpm/mpm	75 / 22.8	75 / 22.8
Mast Tilt		Fwd / Back	deg	3 / 4	3 / 4
Lost Load Center		A with Triple Mast	in/mm	23 / 584	23 / 584
Wheelbase		B	in/mm	56 / 1,422	56 / 1,422
Overall Length to Fork Face		C with Triple Mast	in/mm	89 / 2,260	89 / 2,260
Underclearance		D	in/mm	4.5 / 114	4.5 / 114
Cab Floor Height		E	in/mm	31 / 787	31 / 787
Seat Height		F	in/mm	50.75 / 1,289	50.75 / 1,289
Overhead Guard Height		G	in/mm	87 / 2,210	87 / 2,210
Chassis Width		H	in/mm	45.5 / 1,156	45.5 / 1,156
Mast Shift		I	in/mm	20 / 508	20 / 508
Side Reach		J	in/mm	3 / 76	3 / 76
Fork Carriage Width		K	in/mm	31 / 787	31 / 787
Turning Radius		L	in/mm	67 / 1,702	67 / 1,702
Standard Forks (ITA Class II)			in/mm	40 x 4 x 1.5 1,016 x 101 x 38	40 x 4 x 1.5 1,016 x 101 x 38
Gradeability		Loaded	%	10	10
Lift Motor Rating			kWh	12	12
Steer Motor Rating			kWh	1.1	1.1
Traction Motor Rating			kWh	12	12
Wheel Sizes	Front (2 Each)	in		18 x 9 x 12.1	18 x 9 x 12.1
		mm		457 x 229 x 307	457 x 229 x 307
	Rear (1 Each)	in		18 x 7 x 12.1	18 x 7 x 12.1
		mm		457 x 178 x 307	457 x 178 x 307
Control Type		Traction		AC	AC
		Hydraulic		AC	AC



MAST DIMENSIONS

LIFT HEIGHT (M)		LOWERED HEIGHT (N)		**FREE LIFT (O)		OVERALL HEIGHT (P)	
In	M	In	M	In	M	In	M
Mast Dimensions 3 Stage Full Free Lift							
188	4.78	83	2.11	47	1.19	224	5.69
198	5.03	87	2.21	51	1.30	234	5.94
205	5.21	90	2.29	54	1.37	241	6.12
216	5.49	95	2.41	59	1.50	252	6.40
223	5.66	98	2.49	62	1.57	259	6.58
242	6.15	107	2.72	71	1.80	278	7.06
258	6.55	115	2.92	79	2.01	294	7.47
272	6.91	121	3.07	85	2.16	308	7.82
Mast Dimensions 4 Stage Full Free Lift							
250	6.35	87	2.21	51	1.30	286	7.26
258	6.55	89	2.26	53	1.35	294	7.47
276	7.01	95	2.41	59	1.50	312	7.92
294*	7.47	101	2.57	65	1.65	330	8.38
312*	7.92	107	2.72	71	1.80	348	8.84
* Tilt Restricted to 1° Forward and 2° Backward							
** Free Lift Based on 36' (914mm) High Load Backrest							

RECOMMENDED BATTERY

RECOMMENDED BATTERY
Battery Designation: 24-125-13, 48 Volt, 750 AHC (6 Hour Rate)
Battery Weight: Min. 2,750 lbs. (1,247kg) - Max. 3,300 lbs. (1,497kg)
Leads: Position D, 24" (61cm) Long, with SB 350 Amp Blue Connector
Nominal Size: 38.25" x 20.75" x 30.56" (971 x 527 x 776mm)
Battery Compartment Inside Dimensions: 38.5" x 21.5" x 31.5" (978 x 546 x 800mm)



Landoll continuously improves products. We reserve the right to make any changes in illustrations, specifications, equipment, and prices without prior notice and without changes on previous models.

QUALITY IS OUR FIRST PRIORITY



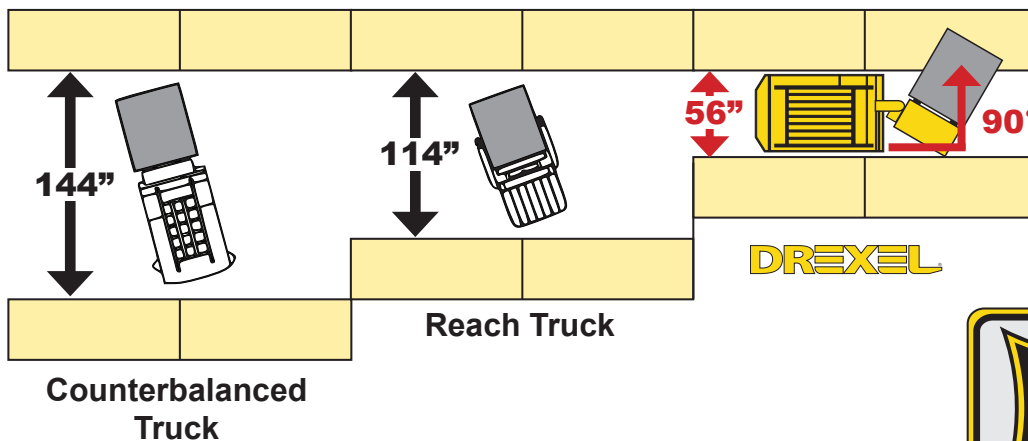
Exceptional Customer Support, Parts and Service

Landoll is committed to total customer satisfaction by providing products and services of the highest quality. Aftermarket parts and service is available world-wide through our factory trained dealer network and Landoll's service support department. Our 75,000 square foot Parts Distribution Center ensures quick and accurate delivery of parts to keep your equipment up and running. Experience for yourself the reason that Landoll Material Handling Products are #1 in customer retention.

Proven Solutions for Storage & Specialty Handling Applications

Family owned and operated since 1963, we make quality our first priority. Our goal is to provide the best solution for your material handling needs. Bendi articulating, Drexel SwingMast® Narrow Aisle and Very Narrow Aisle forklifts provide that solution. Through increased utilization of space, improved productivity, greater flexibility and maximized efficiency. We stay on the edge of modern and innovative technology. We know that for our customers "Quality is Always a Bargain".

FORKLIFT AISLE COMPARISON



Drexel VNA Forklifts save on warehouse space by **33%** compared to a reach truck and by **51%** compared to a counterbalanced truck.



MATERIAL HANDLING PRODUCTS

landoll.com/mhp

fairchildequipment.com (844) 432-4724



Landoll continuously improves products. We reserve the right to make any changes in illustrations, specifications, equipment, and prices without prior notice and without changes on previous models.

SLT30/35AC-0224