



## STANDARD SPECIFICATIONS

### Performance

|  |                                  |
|--|----------------------------------|
| Platform Height                        | 50-ft .5-in / 15.2-m             |
| Horizontal Outreach                    | 31-ft 6-in / 9.6-m               |
| Centerline to Platform Edge            | 31-ft / 9.45-m                   |
| Swing                                  | 410 Degrees Non-Continuous       |
| Platform Capacity                      | 500-lb / 227-kg                  |
| Platform Capacity w/Rotator (Optional) | 440-lb / 200-kg                  |
| Material Hook Capacity                 | 500-lb / 227-kg                  |
| Platform Rotator                       | 90 Degrees Manual                |
| Jib Length                             | 4-ft / 1.22-m                    |
| Jib Vertical Motion                    | 130 Degrees (+75, -55)           |
| Weight*                                | 5,200-lb / 2,177-kg              |
| Leveling Capability                    | 11 Degrees                       |
| Max. Ground Bearing Pressure           | 31 psi / 2.18 kg/cm <sup>2</sup> |
| Towing Speed Rating                    | 65 mph / 105 km/h                |
| Tongue Weight*                         | 450-lb / 204-kg                  |
| Max Gradability                        | 20%                              |
| Hydraulic Reservoir                    | 6.0 gal / 22.71 L                |

\*Certain options or country standards increase weight

### Power Source

|           |                   |
|-----------|-------------------|
| DC Power  | 24V DC            |
| Batteries | 4 x 6V 220 amp-hr |

### Tires

|          |                        |
|----------|------------------------|
| Standard | ST225/75 R15 Pneumatic |
|----------|------------------------|

### KEY SPECS

**Platform Height**  
50-ft .5-in / 15.2-m

**Horizontal Outreach**  
31-ft 6-in / 9.6-m

**Towing Speed**  
65 mph / 105 km/h

**Platform Capacity**  
500-lb / 227-kg

### KEY FEATURES

- Peak efficiency of 4 x 6v 220 amp-hr batteries for quiet, efficient power.
- New standard features include a smart charger, LED tail lights, lockable hoods, dual USB port in platform and parking brake audible indicator
- Set up with ease and get right to work with hydraulic, auto-leveling outriggers.
- Detachable platform controls provide efficient boom positioning with one-hand operation of all boom functions.

## STANDARD FEATURES

- 110V-AC Receptacle in the Platform
- 2-in Hitch with Adjustable Height Coupler
- Amber Beacon
- ANSI A92.2 Compliant
- Auto-Leveling Hydraulic Outriggers
- Dual USB Port in Platform
- Hourmeter
- Hydraulic Surge Brakes
- LED Taillights & Mounting Bracket
- Lockable Battery Covers
- Lockable Hoods
- Motion Alarm
- Parking Brake Audible Indicator
- Platform, Side Entry: 30 x 48-in (0.76 x 1.22-m)
- Proportional Controls
- Quick Start Guide Common Among all JLG® Towable Boom Models
- Smart Charger
- Standard Air and Water Lines to Platform
- Telescopic Upper Boom
- Tilt Alarm/Indicator Light

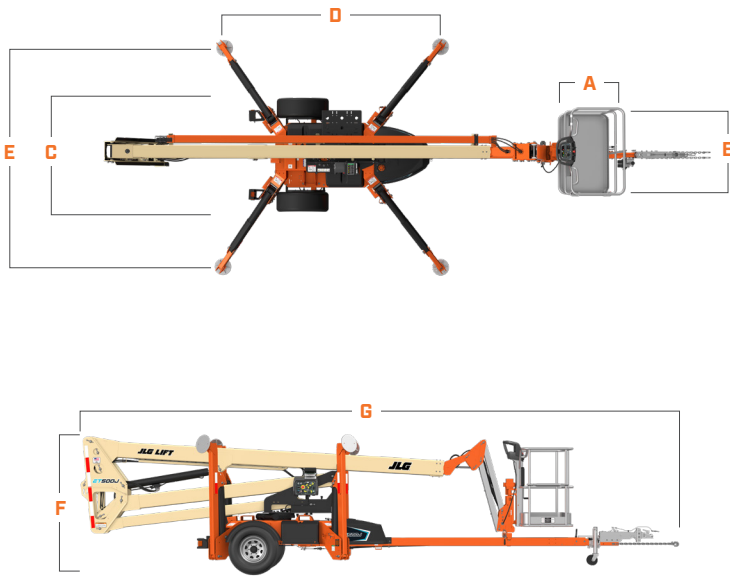
## ACCESSORIES & OPTIONS

- 3000W Honda Generator (Aftermarket Only)
- Full-Size Spare Tire
- Lifting Lugs
- Material Hook — 500-lb / 227-kg Capacity
- Platform Rotator

Image shown for reference only.

## DIMENSIONS

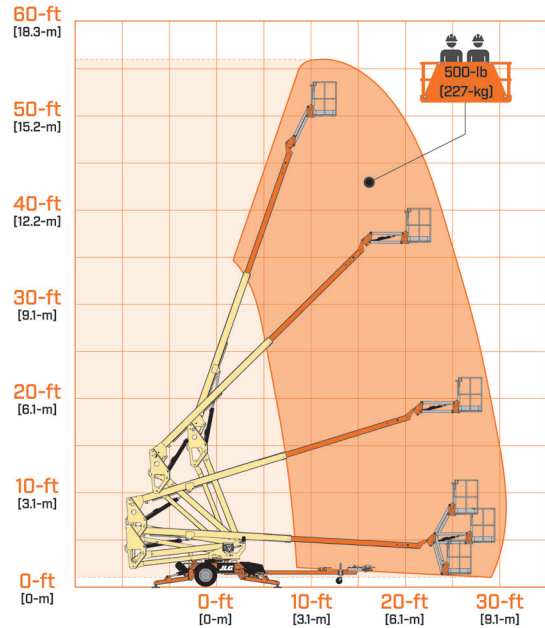
All dimensions are approximate



- A. Platform Width 30-in / 0.76-m
- B. Platform Length 48-in / 1.22-m
- C. Machine Width 5-ft 7.5-in / 1.7-m
- D. Outrigger Footprint Length 12-ft 4-in / 3.8-m
- E. Outrigger Footprint Width 12-ft 8-in / 3.9-m
- F. Machine Height 6-ft 6.75-in / 2-m
- G. Machine Length 27-ft 3.75-in / 8.32-m<sup>1</sup>

<sup>1</sup> With surge brake, 2-in ball

## REACH DIAGRAM



(844) 432-4724

[fairchildequipment.com](http://fairchildequipment.com)



We provide coverage for one (1) full year, and cover all specified major structural components for five (5) years. Due to continuous product improvements, we reserve the right to make specification and/or equipment changes without prior notification. This machine meets or exceeds applicable ANSI and CSA requirements based on machine configuration as originally manufactured for intended applications. Please reference the serial number plate on the machine for additional information.



JLG INDUSTRIES, INC.  
Toll-free US 877-JLG-LIFT  
JLG.com

An Oshkosh Corporation Company