

# 460SJ HC3

TELESCOPIC HI-CAPACITY BOOM LIFT

BOOM LIFT



# HC3

## KEY SPECS

**Platform Height**  
46-ft / 14.05-m

**Drive Speed**  
4.25 mph / 6.8 km/h

**Horizontal Outreach**  
39-ft / 12-m

**Platform Capacity**  
Restricted: 750/1,000-lb / 340/454-kg  
Unrestricted: 660-lb / 300-kg

## KEY FEATURES

- Utilizes three working zones for enhanced capacity; up to three workers and tools can fit onto the platform.
- Delivers a zero calibration automatic load sensing system that eliminates the need to use external weights to calibrate the machine.
- Features an upgraded light panel that is more visible in the sun, and a chassis tilt alarm that alerts the operator when the machine is on a slope that exceeds 5 Degrees.
- Complies with A92.20 ANSI regulations, achieving the highest standards.

## ACCESSORIES & OPTIONS

- 1/2-in Air Line to Platform
- AC Generator, 2500W or 4000W
- Accessory Packages
  - SkyPower® Package
  - SkyGlazier® Package
  - SkyWelder® Package
- Arctic Package<sup>1</sup>
- Bolt On Fall Arrest System
- Cold Weather Package<sup>2</sup>
- Hostile Environment Package<sup>3</sup>
- Light Package
- Platform Mesh to Mid or Top Rail
  - Aluminum or Plastic
- Platforms
  - Drop Bar, 30 x 36-in, 30 x 60-in, 36 x 72-in, 36 x 96-in
  - Fall Arrest, Rear Entry, 36 x 72-in, 36 x 96-in
  - Inward Self-Closing Swing Gate, 30 x 60-in, 36 x 72-in, 36 x 96-in
- Tri-Entry, Drop Bar or Swing Gate, 36 x 72-in, 36 x 96-in
- SkySense® Enhanced Detection System
- Soft Touch System
- Storage Tray - Center or Corner

## STANDARD SPECIFICATIONS

### Performance

Platform Height	46-ft / 14.05-m
Horizontal Outreach	39-ft / 12-m
Swing	360 Degrees Continuous
Platform Capacity (Restricted)	750/1,000-lb / 340/454-kg
Platform Capacity (Unrestricted)	660-lb / 300-kg
Platform Rotator	180 Degrees Hydraulic
Jib Length	6-ft / 1.83-m
Jib Range of Articulation	130 Degrees (+71, -61)
Weight*	20,516-lb / 9,306-kg
Max. Ground Bearing Pressure	971 psi / 6.8 kg/cm <sup>2</sup>
Drive Speed	4.25 mph / 6.8 km/h
Gradeability	45%
Tilt Cut Out	5 Degrees
Turning Radius (Inside/Outside)	6-ft 6.9-in (2.0-m) / 15-ft 10.5-in (4.8-m)

### Engine

Dual Fuel – Kubota WG2503	61 hp / 45.5 kW
Diesel Fuel – Deutz D2.9L4 Tier 4 Final	49 hp / 36.4 kW
Fuel Tank Capacity	22 gal / 83.3 L

### Tires

Standard	Foam Filled, 14x17.5
Optional	Foam Filled Non-Marking, 14x17.5 Foam Filled, 33x12 D610

### Hydraulic System

Hydraulic Reservoir	36 gal / 136.27 L
Auxiliary Power	12V DC

## STANDARD FEATURES

- 5 Degree Tilt Alarm/Indicator Light
- 12V-DC Auxiliary Power
- 110V-AC Receptacle in the Platform
- 180 Degree Hydraulic Platform Rotator
- ClearSky Smart Fleet™ Hardware (CS550)\*\*
- Control ADE® System
- Four-Wheel Hydrostatic Drive
- Glow Plugs (Diesel Engines)
- Horn
- Hourmeter
- Improved Multi-Function Controls
- Interactive Display at Ground Controls
- LED Motion / Amber Beacon (CS550)\*\*
- Lifting/Tie Down Lugs
- Motion Alarm
- Oscillating Axle
- Platform Console Machine Status Light Panel\*\*\*
- Proportional Controls
- Reduced Time to Full Height
- SkyGuard SkyLine™
- Swing-Out Engine Tray

\*Certain Options or Country Standards Increase Weight.

\*\*Standard Beacon and ClearSky Smart Fleet Hardware Availability Varies by Model Throughout 2023.

\*\*\*Provides Indicator Lights at Platform Control Console for System Distress, Low Fuel, Degree Tilt Light and Foot Switch Status.

1. Includes arctic hydraulic hoses (drive and steer only) and main boom cable, arctic hydraulic oil, extreme cold engine oil, fuel conditioner, engine block heater, battery blanket, glow plugs, hydraulic tank heater, and oversized footswitch.

2. Includes battery blanket, hydraulic tank heater, block heater.

3. Includes console cover, boom wipers and cylinder bellows.

Note: Some options may increase lead time, and some option combinations may not be available.

Additional accessories and options available via JLG Aftermarket.



# 460SJ HC3

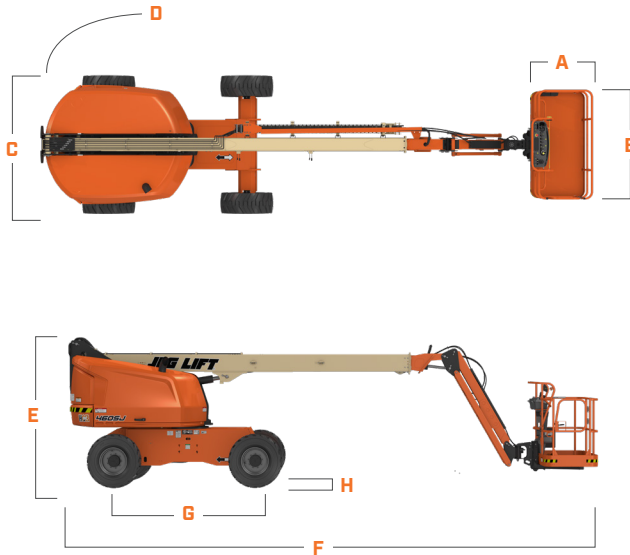
BOOM LIFT

TELESCOPIC HI-CAPACITY BOOM LIFT



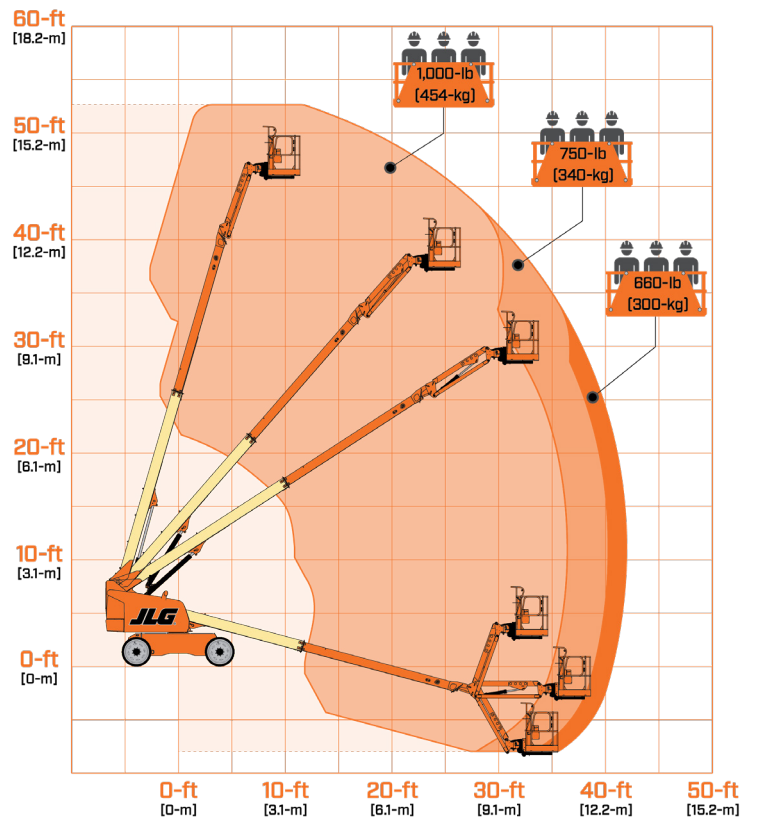
## DIMENSIONS

All dimensions are approximate



A.	Platform Width	36-in / 0.91-m
B.	Platform Length	96-in / 2.44-m
C.	Machine Width	7-ft 6.8-in / 2.31-m
D.	Tailswing	3-ft .5-in / 93-cm
E.	Machine Height	8-ft 1-in / 2.47-m
F.	Machine Length	29-ft 8.2-in / 9.10-m
G.	Wheelbase	7-ft 9.5-in / 2.37-m
H.	Ground Clearance	12-in / 30-cm

## REACH DIAGRAM



(844) 432-4724

[fairchildequipment.com](http://fairchildequipment.com)



We provide coverage for one (1) full year, and cover all specified major structural components for five (5) years. Due to continuous product improvements, we reserve the right to make specification and/or equipment changes without prior notification. This machine meets or exceeds applicable ANSI and CSA requirements based on machine configuration as originally manufactured for intended applications. Please reference the serial number plate on the machine for additional information.



JLG INDUSTRIES, INC.  
Toll-free US 877-JLG-LIFT  
JLG.com

An Oshkosh Corporation Company