

H340AJ

HYBRID ARTICULATING BOOM

BOOM LIFT



KEY SPECS

Platform Height 33-ft 10.5-in / 10.33-m	Up and Over Reach 17-ft / 5.17-m
Horizontal Outreach 19-ft 11-in / 6.06-m	Platform Capacity 500-lb / 227-kg

KEY FEATURES

- Exceptional terrainability by utilizing the four independent electric-drive motors and a Tier 4 Final diesel-powered generator.
- Hybrid technology runs completely on 8 x 12V 100 amp-hour AGM batteries, which are charged by the diesel generator.
- Maximize versatility by utilizing the power of a diesel machine combined with hybrid efficiency to work both inside and outside.
- Produces low emissions with reduced fuel usage, as well as reduced noise and maintenance.

ACCESSORIES & OPTIONS

- 1/2-in Air Line to Platform
- Ambient White Noise Alarm
- Cold Weather Package¹
- Hostile Environment Kit²
- Hot Weather Package
- Inverter - 110V 1200W
- Light Package³
- Platforms -
 - Drop Bar, 30 x 36-in, 30 x 48-in, 30 x 60-in
 - Inward Self-Closing Swing Gate, 30 x 48-in, 30 x 60-in
- Platform Mesh to Mid or Top Rail⁴
 - Aluminum or Plastic
- Storage Tray - Center or Corner

1. Includes Battery Blanket, Hydraulic Tank Heater, Engine Block Heater Pad.
 2. Includes Console Cover, Boom Wipers and Cylinder Bellows.
 3. Includes Platform Lights, Head and Tail Lights.
 4. Requires Self-Closing Gate; Not Compatible with Platform Rail Extensions.

Additional Accessories and Options Available Via JLG Aftermarket.

STANDARD SPECIFICATIONS

Performance

Platform Height	33-ft 10.5-in / 10.33-m
Horizontal Outreach	19-ft 11-in / 6.06-m
Up and Over Clearance	17-ft / 5.17-m
Swing	355 Degrees Non-Continuous
Platform Capacity	500-lb / 227-kg
Platform Rotator	180 Degrees Hydraulic
Jib	4-ft / 1.22-m
Range of Articulation	139 Degrees (+79, -60)
Weight*	9,860-lb / 4,472-kg
Max. Ground Bearing Pressure	64 psi / 4.5 kg/cm ²
Drive Speed (Lowered)	3.7 mph / 5.95 km/h
Gradeability	45%
Turning Radius Inside (2WS/4WS)	5-ft / 1.52-m
Turning Radius Outside (2WS/4WS)	13-ft / 3.96-m

Engine

Diesel- Kubota Z482	11.1 hp / 8.3 kW
Fuel Tank Capacity	13 gal / 49.2 L
Batteries	8 x 12V / 100 amp-hr AGM

Tires

Standard	9 x 20 Foam-filled
Optional	7 x 18 Solid 7 x 18 Solid Non-marking 9 x 20 Non-marking Foam-filled

Hydraulic System

Tank Capacity	20.6 gal / 77.9 L
---------------	-------------------

STANDARD FEATURES

- 4-ft (1.22-m) Articulating Jib
- 4 Degree Tilt Cut-Out
- 110V-AC Receptacle in Platform
- 12V DC Auxiliary Power
- 180 Degree Hydraulic Platform Rotator
- 355 Degree Non-Continuous Swing
- All Motion Alarm
- Cast Aluminum Control Box
- ClearSky Smart Fleet™ Hardware (CS550)**
- Horn
- Hourmeter
- Control ADE® System
- Gull-Wing Steel Turntable Hoods
- LED Motion/Amber Beacon (CS550)**
- Lifting/Tie Down Lugs
- Oscillating Axle
- Platform Console Machine Status Light Panel***
- Proportional Controls
- SkyGuard SkyLine™
- Swing-Out Engine Tray

*Certain options or country standards increase weight.

**Standard beacon and ClearSky Smart Fleet hardware availability varies by model throughout 2023.

***Provides indicator lights at platform control console for system distress, low fuel, degree tilt light and foot switch status.

H340AJ

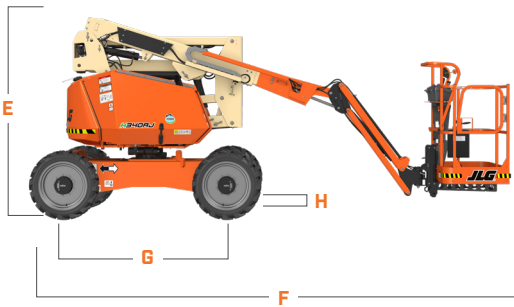
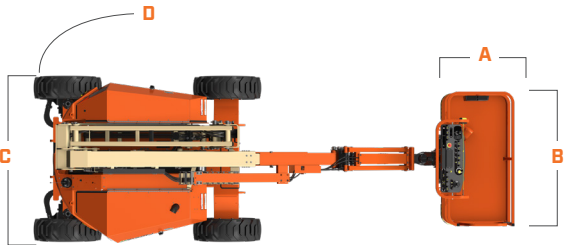
HYBRID ARTICULATING BOOM

BOOM LIFT



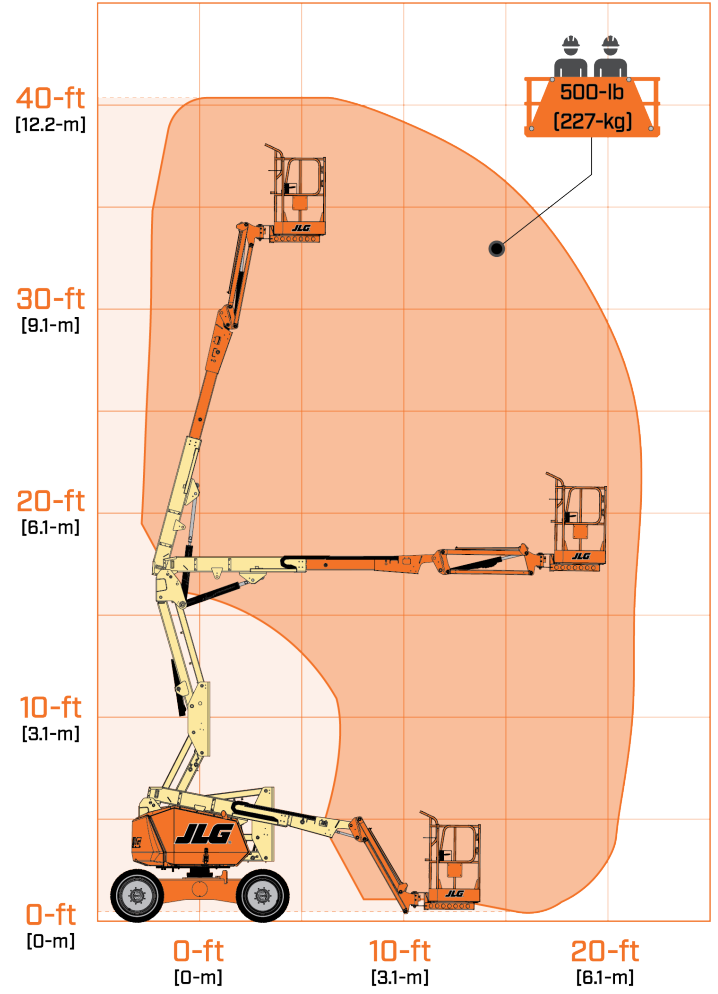
DIMENSIONS

All dimensions are approximate



- A. Platform Width 30-in / 76-cm
- B. Platform Length 60-in / 1.22-m
- C. Machine Width 6-ft 4-in / 1.93-m
- D. Tailswing 2-in / 5.08-cm
- E. Machine Height 6-ft 7-in / 2-m
- F. Machine Length 18-ft 2-in / 5.52-m
13-ft 1-in / 3.98-m with Jib Stowed
- G. Wheelbase 6-ft 2-in / 1.87-m
- H. Ground Clearance 10-in / 26-cm

REACH DIAGRAM



(844) 432-4724

fairchildequipment.com



We provide coverage for one (1) full year, and cover all specified major structural components for five (5) years. Due to continuous product improvements, we reserve the right to make specification and/or equipment changes without prior notification. This machine meets or exceeds applicable ANSI and CSA requirements based on machine configuration as originally manufactured for intended applications. Please reference the serial number plate on the machine for additional information.



JLG INDUSTRIES, INC.
Toll-free US 877-JLG-LIFT
JLG.com
An Oshkosh Corporation Company