

800AJ

ARTICULATING BOOM LIFT

BOOM LIFT



KEY SPECS

Platform Height
80-ft / 24.38-m

Up and Over Height
32-ft 1-in / 9.78-m

Horizontal Outreach
51-ft 10-in / 15.8-m

Platform Capacity
500-lb / 227-kg

KEY FEATURES

- Delivers a zero calibration automatic load sensing system that eliminates the need to use external weights to calibrate the machine.
- Provides economical diesel performance to tackle the terrain.
- Backed by industry-leading, customer-first service and support.
- Available accessories and options provide the flexibility to upfit the machine to meet unique job requirements.

ACCESSORIES & OPTIONS

- 1/2-in Airline to Platform
- 43.5-lb Propane Tank
- AC Generator, 2500W or 4000W
- Accessory Packages:
 - SkyGlazier® Package
 - SkyPower® Package
 - SkyWelder® Package
- Arctic Package¹
- Cold Weather Start Package²
- Hostile Environment Package
- Light Package
- Platform Mesh to Mid or Top Rail
 - Aluminum or Plastic Platforms
- Drop Bar, 30 x 36-in, 30 x 48-in, 30 x 72-in, 36 x 72-in, 36 x 96-in
- Fall Arrest, Rear Entry, 36 x 72-in, 36 x 96-in
- Inward Self-Closing Swing Gate, 30 x 48-in, 30 x 60-in, 36 x 72-in, 36 x 96-in
- Tri-Entry, Drop Bar or Swing Gate, 36 x 72-in, 36 x 96-in
- SkySense® Enhanced Detection System
- Soft Touch
- Storage Tray - Center or Corner

STANDARD SPECIFICATIONS

Performance

Platform Height	80-ft / 24.38-m
Horizontal Outreach	51-ft 10-in / 15.8-m
Up and Over Height	32-ft 1-in / 9.78-m
Swing	360 Degrees Continuous
Platform Capacity	500-lb / 227-kg
Platform Rotator	180 Degrees Hydraulic
Jib Length	6-ft / 1.83-m
Jib Range of Articulation	130 Degrees (+70, -60)
Weight*	34,738-lb / 15,757-kg
Max. Ground Bearing Pressure	76 psi / 5.3 kg/cm ²
Drive Speed	3.0 mph / 4.8 km/h
Gradeability 2WD / 4WD	30% / 45%
Tilt Cut Out	4 Degrees
Turning Radius - Inside (2WS/4WS)	12-ft 6-in / 3.8-m / 6-ft / 1.83-m
Turning Radius - Outside (2WS/4WS)	19-ft 8-in / 6.02-m / 11-ft 7-in / 3.53-m

Engine

Dual Fuel - Ford MSG 425DF	84 hp / 62.6 kW
Diesel Fuel - Deutz D2.9L4 Tier 4 Final	67 hp / 50 kW
Fuel Tank Capacity	39 gal / 147.6 L

Tires

Standard	Foam Filled, 18-625
Optional	Foam Filled Non-marking, 18 x 625 Foam Filled Sand & Turf, 18-22.5

Hydraulic System

Capacity	40 gal / 151.4 L
Auxiliary Power	12V DC

STANDARD FEATURES

- 4 Degree Tilt Alarm/Indicator Light
- 12V-DC Auxiliary Power
- 110V-AC Receptacle in the Platform
- All Motion Alarm
- Articulating Jib
- ClearSky Smart Fleet™ Hardware (CS550)**
- Control ADE® System
- Engine Distress Shutdown - Selectable via Analyzer
- Engine Distress Warning
- Gull-Wing Hoods
- Hourmeter
- Hydrostatic Drive
- LED Motion/Amber Beacon (CS550)**
- Lifting/Tie Down Lugs
- Load Sensing System
- Oscillating Axle
- Platform Console Machine
- Proportional Controls
- SkyGuard SkyLine™
- Platform Console Machine Status Light Panel***
- Swing-Out Engine Tray

*Certain Options or Country Standards Increase Weight.

**Standard Beacon and ClearSky Smart Fleet Hardware Availability Varies by Model Throughout 2023.

***Provides Indicator Lights at Platform Control Console for System Distress, Low Fuel, Degree Tilt Light and Foot Switch Status.

- Includes Arctic Hydraulic Hoses (Drive And Steer Only) And Main Boom Cable, Extreme Cold Engine Oil, Fuel Conditioner, Engine Block Heater, Battery Blanket, Glow Plugs, Hydraulic Tank Heater, Oversized Foot Switch and Arctic Hydraulic Oil.
- Includes Battery Blanket, Hydraulic Tank Heater, Engine Block Heater Pad.

Not All Options Can Be Outfitted On the Same Machine; Consult Factory for Compatibility. Additional Accessories and Options Available Via JLG Aftermarket.

800AJ

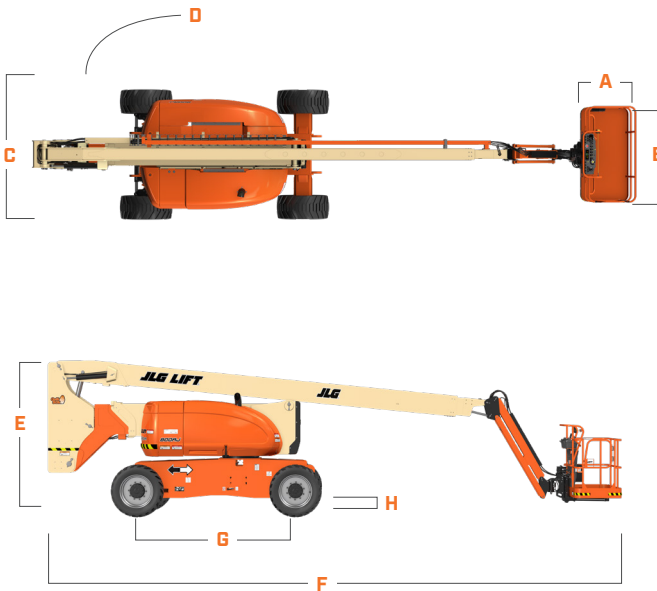
ARTICULATING BOOM LIFT

BOOM LIFT



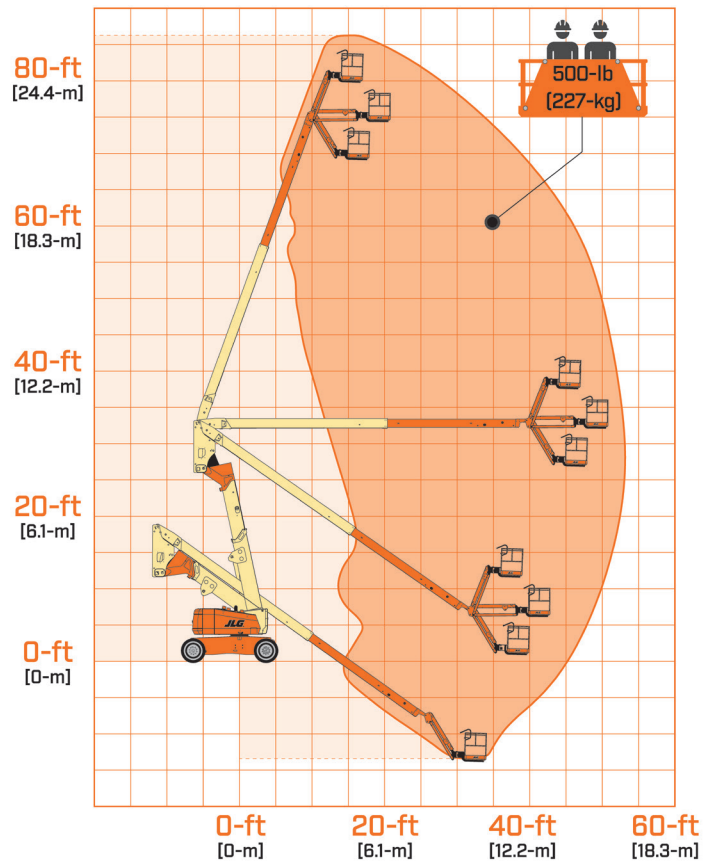
DIMENSIONS

All dimensions are approximate



A.	Platform Width	36-in / 0.91-m
B.	Platform Length	96-in / 2.44-m
C.	Machine Width	8-ft 2-in / 2.48-m
D.	Tailswing	2-ft 6-in / 76-cm
E.	Machine Height	9-ft 10-in / 3.0-m
F.	Machine Length	36-ft 6-in / 11.13-m
G.	Wheelbase	10-ft / 3.05-m
H.	Ground Clearance	11-in / 28-cm

REACH DIAGRAM



(844) 432-4724

fairchildequipment.com



We provide coverage for one (1) full year, and cover all specified major structural components for five (5) years. Due to continuous product improvements, we reserve the right to make specification and/or equipment changes without prior notification. This machine meets or exceeds applicable ANSI and CSA requirements based on machine configuration as originally manufactured for intended applications. Please reference the serial number plate on the machine for additional information.



JLG INDUSTRIES, INC.
Toll-free US 877-JLG-LIFT
JLG.com

An Oshkosh Corporation Company