

1850SJ

TELESCOPIC ULTRA BOOM

BOOM LIFT



KEY SPECS

Platform Height

185-ft 7-in / 56.56-m

Drive Speed

2.8 mph / 4.5 km/h

Horizontal Outreach

80-ft / 24.38-m

Platform Capacity

1,000-lb / 454-kg - Restricted
500-lb / 227-kg - Unrestricted

KEY FEATURES

- Expansive work area of a maximum platform height of 185-ft and a telescoping jib that provides 2.9 million cubic feet of work area.
- Optimized maneuverability with full-time four-wheel drive to traverse over rough terrain.
- Enhanced Platform Controls - An LCD screen shows operators where they are in the work envelope, along with other useful information.
- Single sensor load sensing system features fewer parts and requires no weight to calibrate.

ACCESSORIES & OPTIONS

- Accessory Packages:
 - SkyWelder® Package
 - SkyPower® Package
 - SkyGlazier® Package
- Additional Platform Options
 - Fall Arrest, Rear Entry - 36 x 96-in
 - Drop Bar - 30 x 36-in, 36 x 96-in
 - Inward Self-Closing Swing Gate - 36 x 72-in, 36 x 96-in
 - Tri-Entry, Drop Bar - 36 x 72-in, 36 x 96-in
 - Tri-Entry, Swing Gate - 36 x 72-in, 36 x 96-in
 - Amber Beacon
 - Ambient White Noise Alarm
 - Bolt On Fall Arrest System
 - ClearSky™ Telematics
 - Cold Package Plus¹
 - Cold Weather Start Kit²
 - Hostile Environment Kit³
 - Light Package⁴
 - Platform Mesh, Bolt On
 - Mesh to Top Rail, Plastic or Aluminum
 - Mesh to Mid Rail, Plastic or Aluminum
 - SkySense® Enhanced Detection System
 - Soft Touch System
 - Special Hydraulic Oils
 - Platform Storage Tray, Center or Corner

STANDARD SPECIFICATIONS

Performance

Platform Height	185-ft 7-in / 56.56-m
Horizontal Outreach	80-ft / 24.38-m
Swing	360 Degrees Continuous
Platform Capacity (Restricted)	1,000-lb / 454-kg
Platform Capacity (Unrestricted)	500-lb / 227-kg
Platform Rotator	173 Degrees Hydraulic
Jib Length (Retracted/Extended)	13-ft (3.96-m) / 20-ft (6.1-m)
Jib Range of Articulation	120 Degrees (+75, -45)
Weight*	59,900-lb / 27,170-kg
Max. Ground Bearing Pressure	119.6 psi / 8.41 kg/cm ²
Drive Speed	2.8 mph / 4.5 km/h
Gradeability	40%
Tilt Cut Out	5 Degrees
Turning Radius (Inside):	
Axles Retracted/Extended	23-ft 4-in (7.12-m) / 7-ft 7-in (2.3-m)
Turning Radius (Outside):	
Axles Retracted/Extended	31-ft 3-in (9.52-m) / 21-ft 8-in (6.6-m)

*Certain options or country standards increase weight

Engine

Diesel Engine - Deutz TCD 3.6L Tier IV F	99.8 hp / 74.4 kW
Fuel Tank Capacity	45 gal / 170 L

Tires

Standard	445/50D710 Foam-filled
----------	------------------------

Hydraulic System

Capacity	75.1 gal / 284.2 L
----------	--------------------

STANDARD FEATURES

- 12V-DC Auxiliary Power
- Full-Time 4WD
- 173 Degrees Hydraulic Platform Rotator
- Glow Plugs
- 3 Selectable Steering Modes
- Gull-Wing Steel Hoods
- AC Receptacle in Platform
- Hourmeter
- All Motion Alarm
- Lifting/Tie Down Lugs
- Control ADE® System
- Load Sensing System
- Drive-Out Extendable Axles
- LCD Panel at Operator's Platform Control Console
- Engine Distress Warning/Shutdown—Selectable via JLG Analyzer
- Platform 36 x 96-in (.91 x 2.44-m) Side Entry
- Proportional Controls
- Platform Console Machine Status Light Panel*
- Selectable Capacity Envelope
- Swing-Out Engine Tray
- SkyGuard SkyLine™
- Tilt Light and Alarm

1. Includes extreme cold engine oil, fuel conditioner, engine block heater, battery blanket, glow plugs, hydraulic tank heater, and oversized footswitch.

2. Includes battery heater and oil tank heater.

3. Includes console cover, boom wipers and cylinder bellows.

4. Includes platform work lights, head and tail lights, amber beacon.

* Provides indicator lights at platform control console for system distress, fuel level, low fuel, 5 degree tilt light and foot switch status.

Additional accessories and options available via JLG Aftermarket.

Shown with Optional Mesh to Top Rail

1850SJ

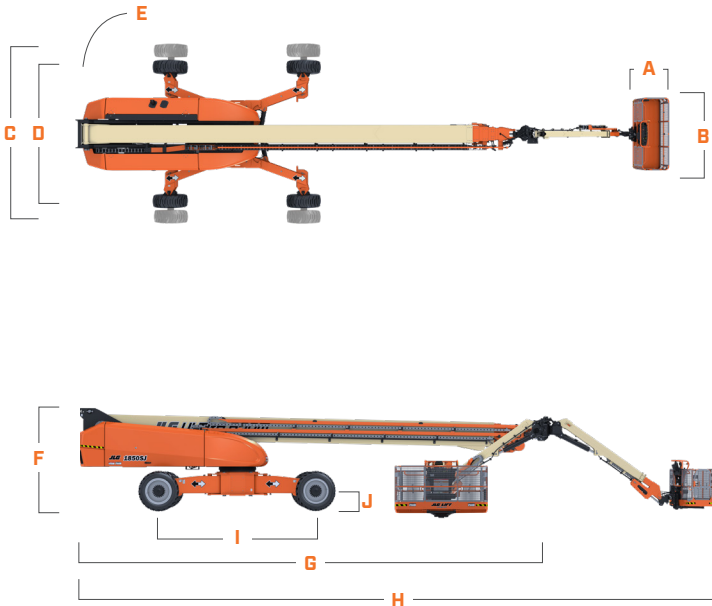
ULTRA BOOM

BOOM LIFT



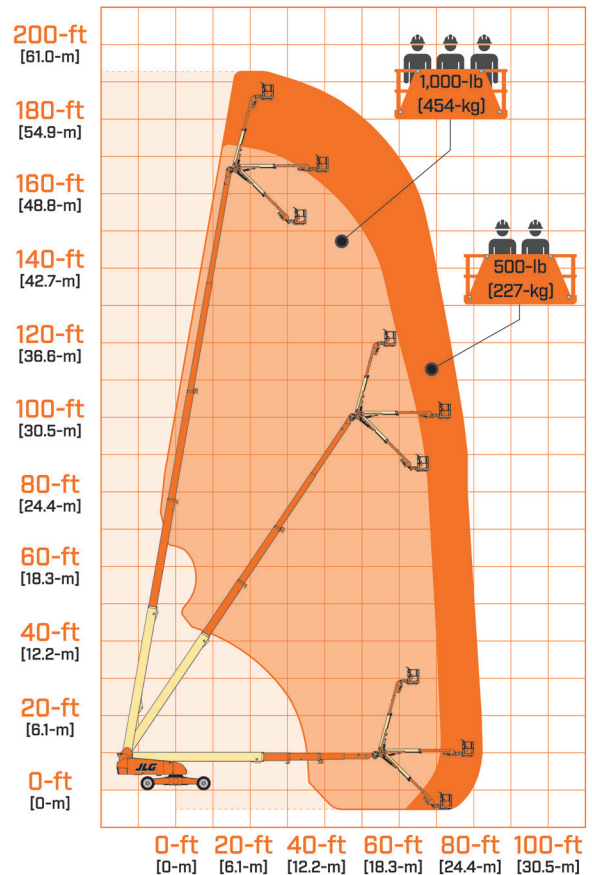
DIMENSIONS

All dimensions are approximate



A. Platform Width	36-in / 91-cm
B. Platform Length	96-in / 2.44-m
C. Machine Width - Axles Extended	16-ft 6-in / 5-m
D. Machine Width - Axles Retracted	8-ft 2-in / 2.49-m
E. Tailswing	7-ft 7-in / 2.32-m
F. Machine Height	10-ft / 3.05-m
G. Machine Length - Stowed	47-ft 9.5-in / 14.57-m
H. Machine Length - Overall	63-ft 10-in / 19.45-m
I. Wheelbase	17-ft 1.5-in / 5.22-m
J. Ground Clearance	13.5-in / 34-cm - Axle 16.25-in / 41-cm - Chassis

REACH DIAGRAM



(844) 432-4724

fairchildequipment.com



JLG INDUSTRIES, INC.
Toll-free US 877-JLG-LIFT
JLG.com

An Oshkosh Corporation Company



We provide coverage for one (1) full year, and cover all specified major structural components for five (5) years. Due to continuous product improvements, we reserve the right to make specification and/or equipment changes without prior notification. This machine meets or exceeds applicable ANSI and CSA requirements based on machine configuration as originally manufactured for intended applications. Please reference the serial number plate on the machine for additional information.