

10MSP

MOBILE STOCK PICKER

STOCK PICKER



KEY SPECS

Platform Height
10-ft (3.05-m)

Machine Width
32.5-in / 82.5-cm

Platform Capacity
350-lb (160-kg)

Stowed Drive Speed
5 mph / 8.0 km/h

KEY FEATURES

- Zero turning radius for superior maneuverability even in a narrow aisle.
- Built-in automatic battery charger for less downtime during warehouse shifts.
- One-hand operation for increased operator comfort compared to a walkie stacker.
- Driveable at full height for increased efficiency while picking stock.

ACCESSORIES & OPTIONS

- Aisle Guide Roller System
- ClearSky™ Legacy
- Electrically-Powered Material Tray (200-lb Capacity)
- Floor Mats
- Object Sensing Pad
- Programmable 4-Digit Security Lock
- Remote Manual Descent
- Retractable Charger Cord

STANDARD SPECIFICATIONS

Performance

Indoor Only

Platform Height (Elevated)	10-ft / 3.05-m
Working Height	16-ft / 4.88-m
Maximum Drive Height	Full Height
Weight*	1,100-lb / 499-kg
Platform Capacity	350-lb / 159-kg
Material Tray Capacity	250-lb / 113-kg
Drive Speed (Lowered)	5.0 mph / 8.0 km/h
Drive Speed (Elevated)	0.5 mph / 0.8 km/h
Turning Radius	Zero
Gradeability	15%

*Certain options or country standards increase weight

Power Source

Batteries	4 Sealed 210 amp-hr Maintenance Free (AGM)
Battery Charger	25 Amp Automatic
Drive System	4 Brush Direct Electric (Planetary Gear)

Tires

Rear Drive & Steer Wheels	12.62 x 4-in / 32 x 10-cm
Non-Marking Front Caster Wheels	8 x 2.5-in / 20 x 6-cm

STANDARD FEATURES

- Adjustable Height Material Tray
- Automatic Five-Hour Battery Charger
- Battery Discharge Indicators — Platform and Base
- Heavy Duty Planetary Gear Drive Motors
- Horn
- Hourmeter
- Lanyard Attachment Anchor Point
- Lubrication-Free Anodized Aluminum Mast Sections
- Maintenance-Free Mast Guide System
- Non-Marking Tires
- Platform Gate Operation Interlock
- Point & Go® One-Hand Drive and Steer System
- Programmable Motion Alarm
- Proportional Drive
- Side and Front Bumpers
- Simultaneous Lift and Drive Capability
- Shipping Skid
- Slope Cut-Out Control Interlock
- Stand-On Foot Switch Operation Enable Control
- Strobe Lights Front and Rear
- Transportation Tie Downs

10MSP

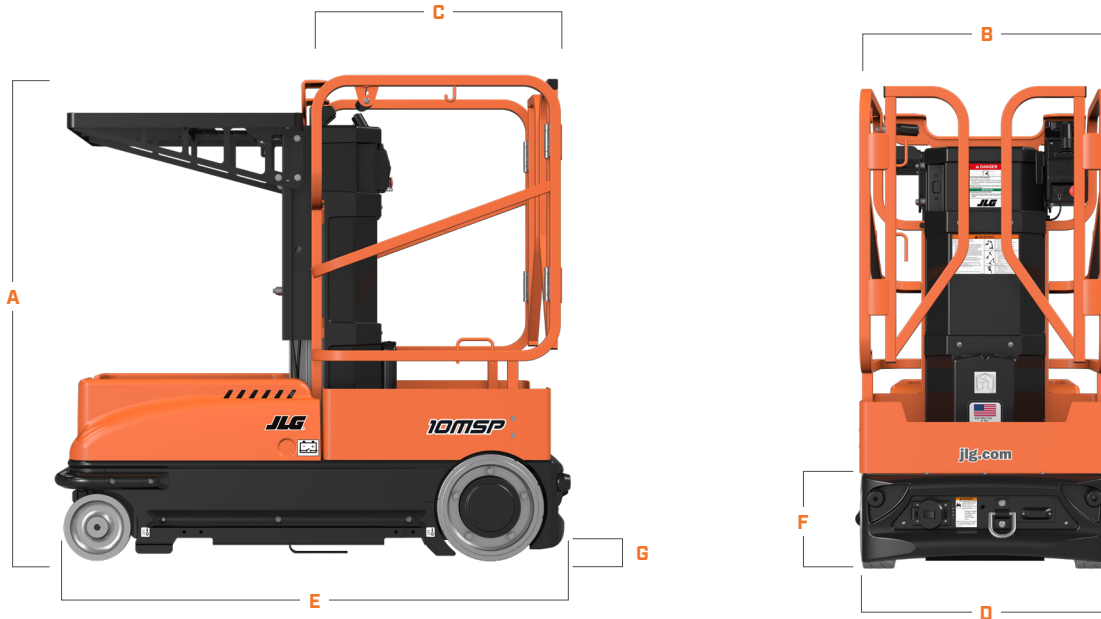
MOBILE STOCK PICKER

STOCK PICKER



DIMENSIONS

All dimensions are approximate



A. Machine Height	57-in / 145-cm
B. Platform Width	20-in / 49.5-cm
C. Platform Length	27-in / 69-cm
D. Machine Width (With Bumpers)	32.5-in / 82.5-cm
E. Machine Length	61-in / 1.55-m
F. Ground Entry Height	13.75-in / 35-cm
G. Ground Clearance	2-in / 5-cm



(844) 432-4724

fairchildequipment.com



We provide coverage for one (1) full year, and cover all specified major structural components for five (5) years. Due to continuous product improvements, we reserve the right to make specification and/or equipment changes without prior notification. This machine meets or exceeds applicable ANSI and CSA requirements based on machine configuration as originally manufactured for intended applications. Please reference the serial number plate on the machine for additional information.



JLG INDUSTRIES, INC.
Toll-free US 877-JLG-LIFT
JLG.com

An Oshkosh Corporation Company