

COMBi-RT

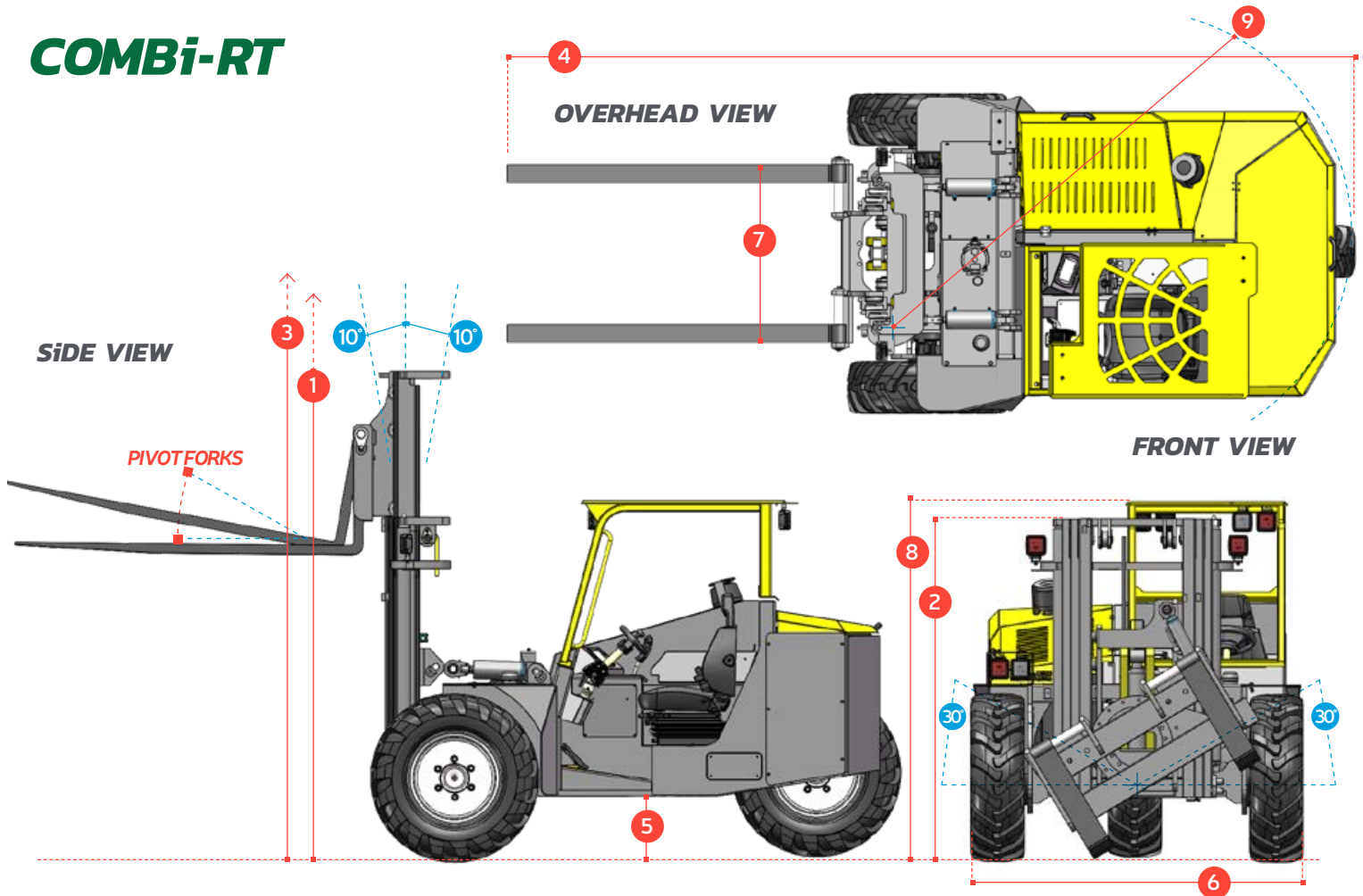
The Combi-RT forklift is designed for use on rough terrain, catering to your poultry and agri needs.

COMBiLiFT

LIFTING INNOVATION



COMBI-RT



REF.	DESCRIPTION		REF.	DESCRIPTION	
1	Max. Lift Height	124"	6	Width	71"/79"
2	Height Mast Closed	71"	7	Outside Spread of Fork Arms	39"
3	Max. (Mast raised)	163"	8	Truck Height	74"
4	Overall Length	183"	9	Turning Radius	92"
5	Ground Clearance	12"			

DESCRIPTION	2.9 TD Deutz
Capacity	3500 lbs @ 48"
Unladen Weight	10,250 lbs
Ground Speed	11 mph
Gradeability	40%
Deutz 2.9 Diesel Engine	74 HP
Overall Width	78¾"
Electrics	12 volt
Triplex Mast Lift Height	124"
Pivot Fork Section	2" x 4" x 72"
Fork Rotation	30° each way
Pneumatic Tractor Grip Tires	ø 36" width 11½"
Fuel Tank Capacity	22 Gallons
Hydraulic Tank Capacity	20 Gallons

Features Include:

- 3 wheel maneuverability
- Hydrostatic all wheel drive
- Large tractor grip tyres
- Deep suspension seat
- Back up alarm
- 150 mm / 6" mast side shift
- Pivot Forks

Benefits:

- Small turning radius
- Reduced maintenance costs
- No mechanical brakes to adjust or replace
- Large ground clearance
- Diff-lock
- Offset driving position gives excellent visibility
- Ergonomically designed cabin for operator comfort

COMBILIFT HAS A POLICY OF CONTINUOUS PRODUCT DEVELOPMENT AND RESERVES THE RIGHT TO ALTER SPECIFICATIONS WITHOUT PRIOR NOTICE. SPECIFICATIONS AND/OR DIMENSIONS MAY VARY FROM THOSE ILLUSTRATED IN SOME COUNTRIES.