

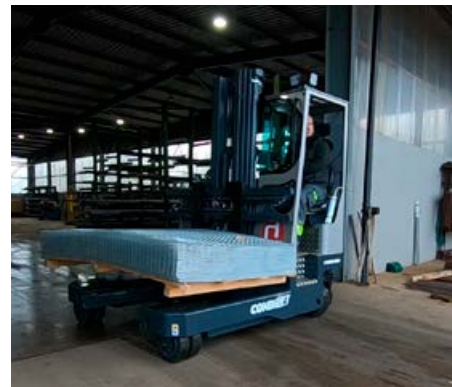
COMBi-MR4 5000 lbs. Dynamic 360°

Incorporating our proprietary Dynamic 360° Steering System the Comb-MR4 enables seamless and intuitive directional change while driving.

COMBiLiFT

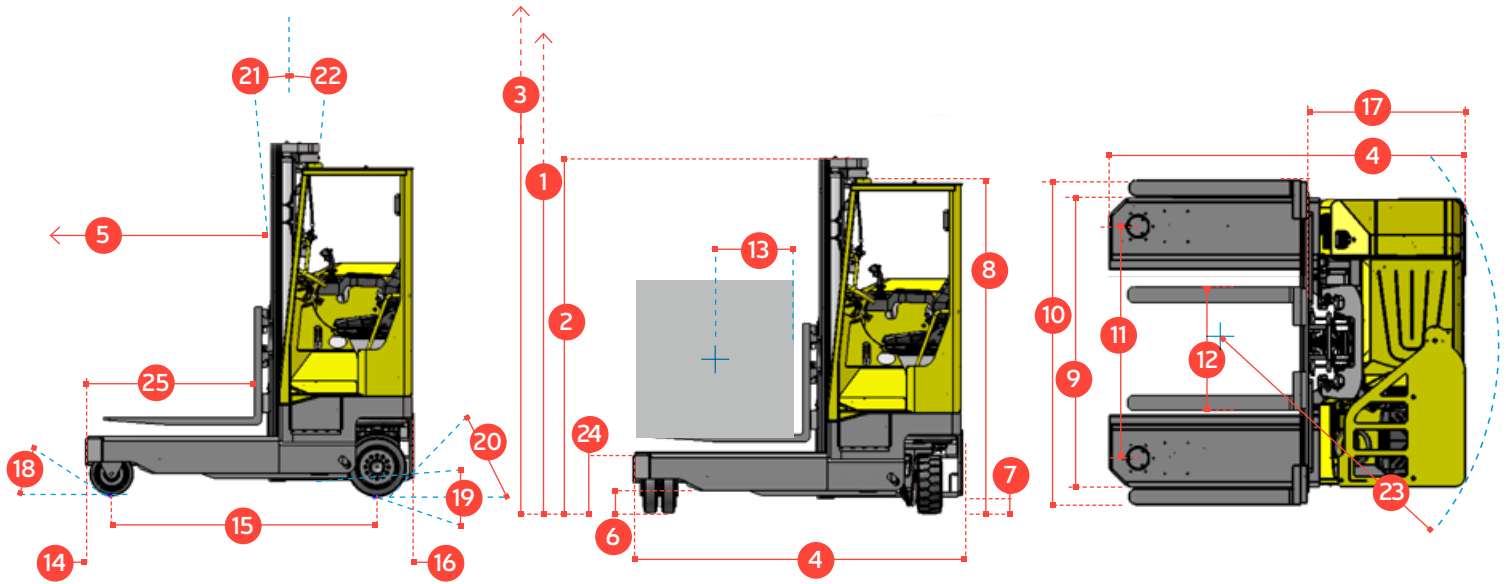
LIFTING INNOVATION

Dynamic 360°



COMBi-MR4 5000 lbs.

Dynamic 360®

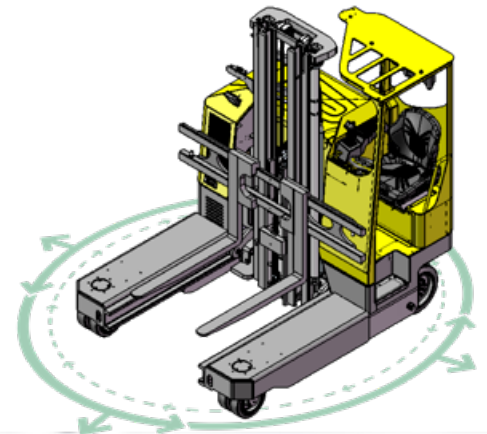


This compact truck features two rear wheel drive with rubber tyres and dynamic 360° 4 wheel steering rotation, contributing to faster procedures for manufacturing, distribution and logistics operations.

| REF. | DESCRIPTION | STANDARD | OPTIONAL |
|------|---------------------------------------|----------|----------|
| 1a | Standard Lift Height | 159" | 220" |
| 1b | Freelift Height | 0" | 68" |
| 2 | Height Mast Closed | 105" | 103" |
| 3 | Max. (Mast raised) | 187" | 254" |
| 4 | Overall Length | | 90 1/2" |
| 5 | Mast Travel | | 49" |
| 6 | Ground Clearance Under Mast | | 4" |
| 7 | Ground Clearance to Wheelbase | | 4" |
| 8 | Height Over Cab (without work lights) | | 92 1/2" |
| 9 | Overall Width | | 77" |
| 10 | Width over forks | | 83" |
| 11 | Track Front | | 59" |
| 12 | Frame Opening | | 37" |
| 13 | Load Centre Distance | | 24" |
| 14 | Overhang Front | | 7" |
| 15 | Wheelbase | | 74" |
| 16 | Overhang Back | | 10" |
| 17 | Length From Face of Fork | | 43" |
| 18 | Approach Angle | | 35° |
| 19 | Ramp Angle | | 15° |
| 20 | Departure Angle | | 35° |
| 21 | Forward Tilt | | 2° |
| 22 | Backward Tilt | | 4° |
| 23 | Minimum Outside Radius | | 77" |
| 24 | Platform Height | | 15" |
| 25 | Platform Length | | 47" |
| 26 | Chassis Width | | 73" |

| | | | |
|---|------------------------|-------------------|-----------|
| A | Capacity | 5000 lbs. | 6000 lbs. |
| B | Unladen Weight | 10,000 lbs | |
| C | Maximum Ground Speed | 7 km/h | |
| D | Gradability | 7% | |
| E | AC Rear Drive | 6 kW | |
| F | Battery | 48V x 775Ah | |
| G | Fork Section | 2" x 4" x 45" | |
| H | Vulkollan Front Tyre | OD 10" / Width 3" | |
| I | Solid Rubber Rear Tyre | OD 16" / Width 7" | |
| J | Standard Colour | Yellow & Grey | |

Multi-Directional



Features Include:

- Seated Operator Over-Head Guard
- Multi-Direction Operation
- AC Electric Steering
- AC Motor Technology
- Multi-Function Joystick
- Dynamic 360° Steering

Distributed by:



rev.3.4

COMBILIFT HAS A POLICY OF CONTINUOUS PRODUCT DEVELOPMENT AND RESERVES THE RIGHT TO ALTER SPECIFICATIONS WITHOUT PRIOR NOTICE. SPECIFICATIONS AND/OR DIMENSIONS MAY VARY FROM THOSE ILLUSTRATED IN SOME COUNTRIES.

fairchildequipment.com

(844) 432-4724

combilift.com