

C-SERIES C55,000

The multi-directional forklift designed for the safe, space saving and productive handling of long and bulky loads.

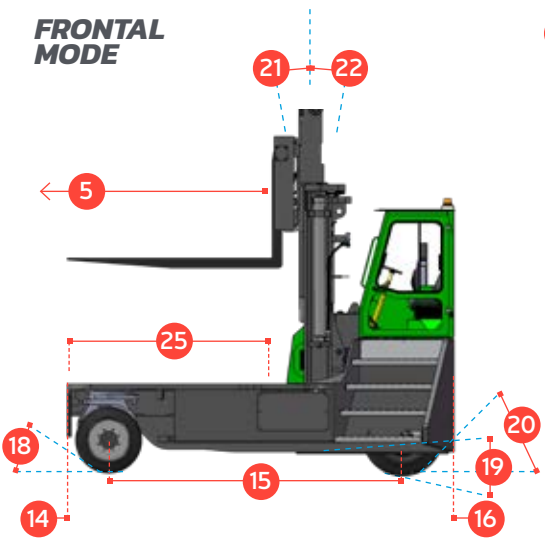
COMBiLiFT

LIFTING INNOVATION

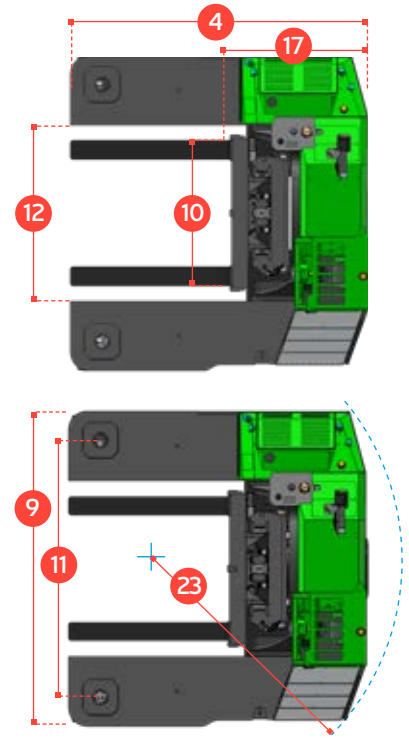
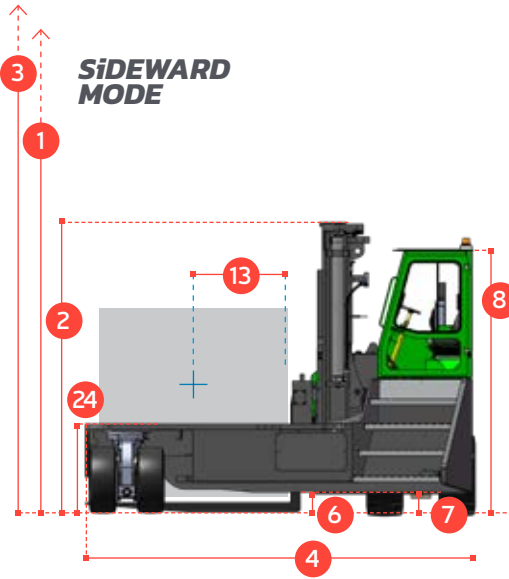


C-SERIES C55,000

FRONTAL MODE

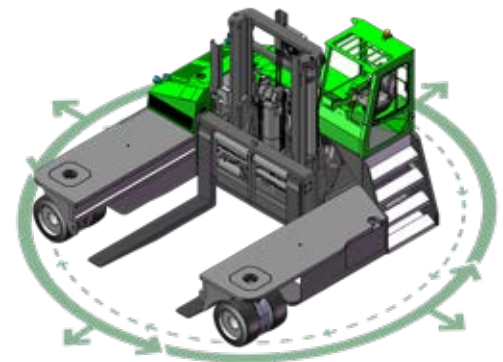


SI DEWARD MODE



REF.	DESCRIPTION	C55,000
1a	Max. Lift Height	162"
1b	Freelift Height	0"
2	Height Mast Closed	164"
3	Max. (Mast raised)	248"
4	Overall Length	193"
5	Mast Travel	106"
6	Ground Clearance Under Mast	18"
7	Ground Clearance to Center of Wheelbase	10"
8	Height Over Cab (Without work lights)	132"
9	Width	205"
10	Outside Spread of Fork Arms	94½"
11	Track Front	167"
12	Frame Opening	114"
13	Load Center Distance	48"
14	Overhang Front	20½"
15	Wheelbase	146½"
16	Overhang Back	25½"
17	Length From Face of Fork	90½"
18	Approach Angle	45°
19	Ramp Angle	17°
20	Departure Angle	45°
21	Forward Tilt	4°
22	Backward Tilt	8°
23	Minimum Outside Radius	191"
24	Platform Height	45½"
25	Platform Length	102"
A	Capacity	55,000 lbs
B	Unladen Weight	86,000 lbs
C	Maximum Ground Speed	10 mph
D	Gradeability	10%
E	John Deere Diesel Engine 6068HF	225 HP
F	Electrics	12 Volt
G	Fork Section	5" x 12" x 102"
H	465/55-20 SE x 2 super elastic rear tire	OD 40" / Width 18"
I	40/350-559 x4 solid rubber front tire	OD 33" / Width 14"
J	Standard Color	Green & Gray
K	Suspension Seat	KAB Model 116

Multi-Directional



Features Include:

- Hydraulic Mounted Cabin
- Multi-Directional Operation
- 4 Wheel Hydrostatic Drive
- +/- 6" Integrated Side-shift
- 4 Way Lever Positioning of Wheels
- Load Sensing Steering
- Hydraulic Oil Cooler

Distributed by:



COMBILIFT HAS A POLICY OF CONTINUOUS PRODUCT DEVELOPMENT AND RESERVES THE RIGHT TO ALTER SPECIFICATIONS WITHOUT PRIOR NOTICE. SPECIFICATIONS AND/OR DIMENSIONS MAY VARY FROM THOSE ILLUSTRATED IN SOME COUNTRIES.