

C-SERIES C22,000

The multi-directional forklift designed for the safe, space saving and productive handling of long and bulky loads.

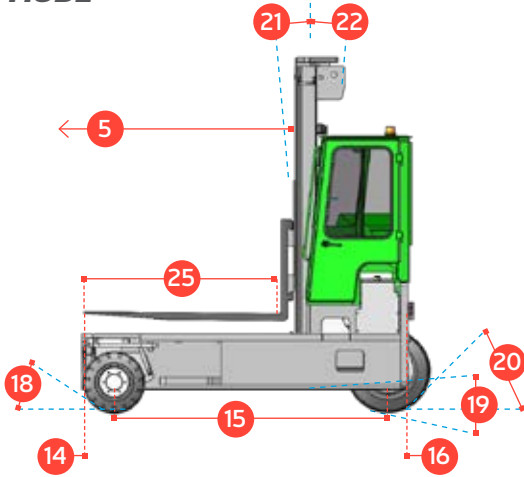
COMBiLiFT

LIFTING INNOVATION

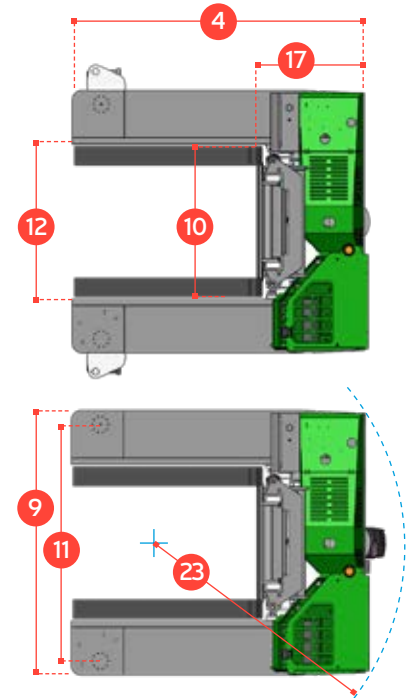
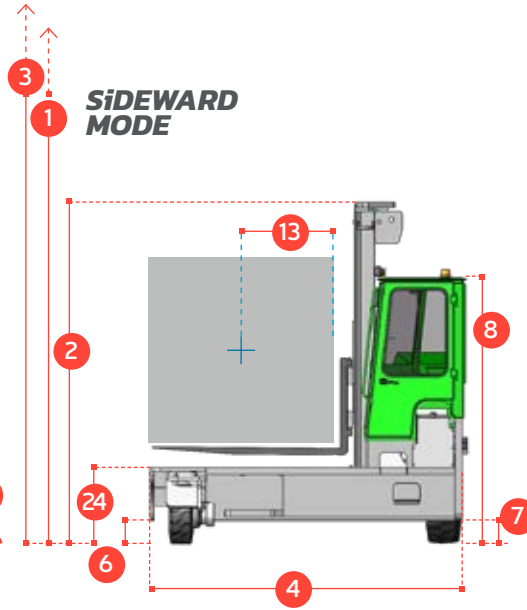


C-SERIES C22,000

**FRONTAL
MODE**

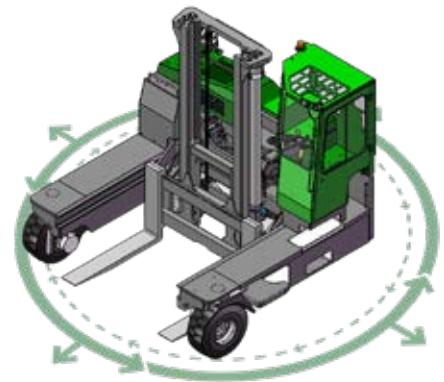


**SIDEWARD
MODE**



REF.	DESCRIPTION	C22,000
1a	Max. Lift Height	161½"
1b	Free Lift Height	0"
2	Height Mast Closed	136"
3	Max. Mast Raised	228½"
4	Overall Length	121"
5	Mast travel	68¼"
6	Ground Clearance Under Mast	11½"
7	Ground Clearance to Center of Wheelbase	6½"
8	Height Over Cab (without work lights)	106¼"
9	Width	110¼"
10	Outside Spread of Fork Arms	63"
11	Track Front	98½"
12	Frame Opening	65"
13	Load Center Distance	24"
14	Overhang Front	12¼"
15	Wheelbase	100¾"
16	Overhang Back	8"
17	Length from Face of Fork	54½"
18	Approach Angle	45°
19	Ramp Angle	29°
20	Departure Angle	45°
21	Forward Tilt	3°
22	Backward Tilt	5°
23	Minimum Outside Radius	122¼"
24	Platform Height	30½"
25	Platform Length	66½"
A	Capacity	22,000 lbs
B	Unladen Weight	30,000 lbs
C	Maximum Ground Speed	8½ mph
D	Gradeability	15%
E	4.3 ltr GM LPG	96 HP
F	Electrics	12 Volt
G	Fork Section	2½" x 8" x 66½"
H	22 x 12 - 16 Front Tire	OD 25½" / Width 12"
I	840 / 340 - 559 Rear Tire	OD 33" / Width 13¾"
J	Standard Color	Green & Gray
K	Suspension Seat	KAB Model 116

Multi-Directional



Features Include:

- Rubber Mounted Half Open Cabin
- Multi-Direction Operation
- 3 Wheel Hydrostatic Drive
- Load Sensing Steering
- 4 Way Lever Positioning of Wheels
- Hydraulic Oil Cooler

Distributed by:



COMBILIFT HAS A POLICY OF CONTINUOUS PRODUCT DEVELOPMENT AND RESERVES THE RIGHT TO ALTER SPECIFICATIONS WITHOUT PRIOR NOTICE. SPECIFICATIONS AND/OR DIMENSIONS MAY VARY FROM THOSE ILLUSTRATED IN SOME COUNTRIES.

European Patent No. 2167416; Brazilian Patent No. P10811954-6; Australian Patent No. 2008253242

fairchildequipment.com

(844) 432-4724

combilift.com