

C-SERIES C17,300 ET

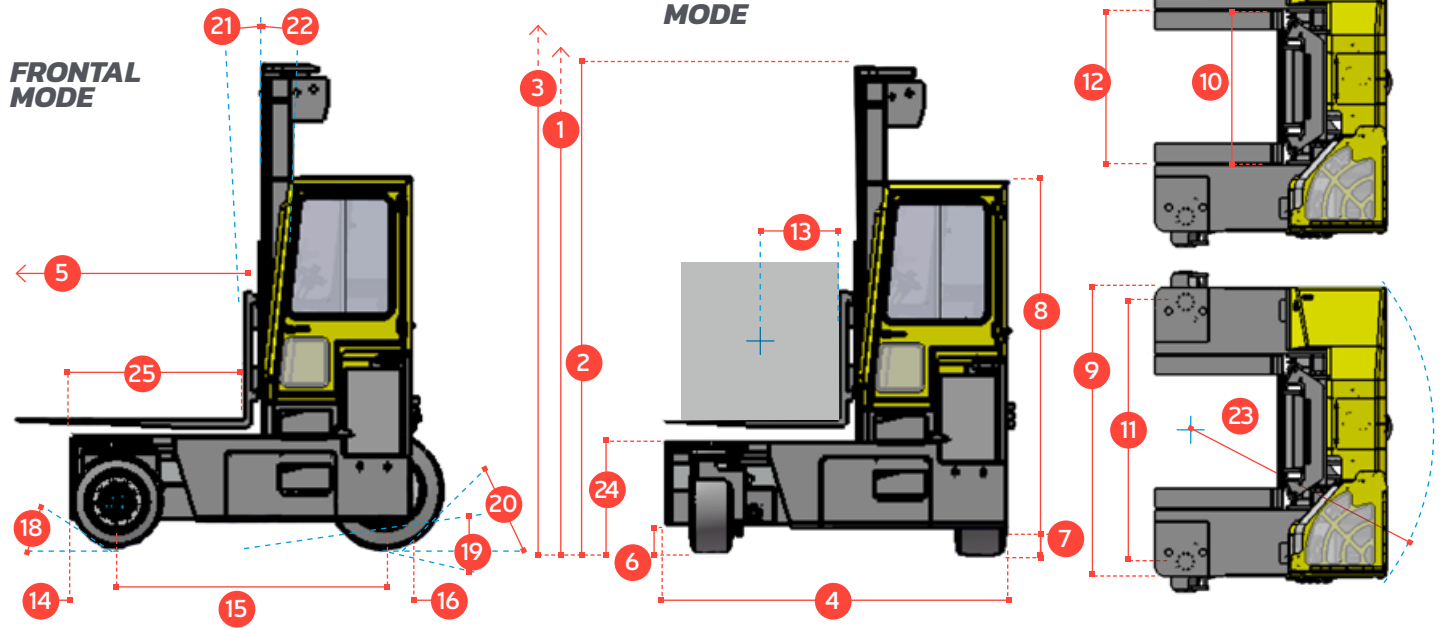
The multi-directional forklift designed for the safe, space saving and productive handling of long and bulky loads.

COMBILIFT

LIFTING INNOVATION



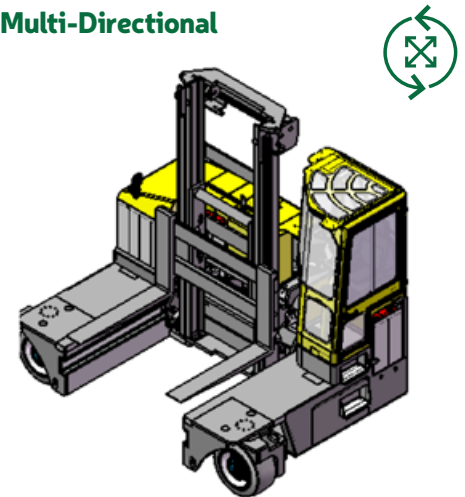
C-SERIES C17,300 ET



REF.	DESCRIPTION	C17,300 ET
1a	Standard Lift Height	178"
1b	Freelift Height	0"
2	Height Mast Closed	135"
3	Max. (Mast raised)	234"
4	Overall Length	105"
5	Mast Travel	60"
6	Ground Clearance Under Mast	11 1/2"
7	Ground Clearance to Centre of Wheelbase	8"
8	Height Over Cab (Without work - lights)	104"
9	Width	120"
10	Outside Spread of Fork Arms	63"
11	Track Front	98"
12	Frame Opening	65"
13	Load Centre Distance	24"
14	Overhang Front	12"
15	Wheelbase	85"
16	Overhang Back	8"
17	Length From Face of Fork	46 1/2"
18	Approach Angle	45°
19	Ramp Angle	29°
20	Departure Angle	45°
21	Forward Tilt	3°
22	Backward Tilt	5°
23	Minimum Outside Radius	109"
24	Platform Height	27"
25	Platform Length	58 1/2"

A	Capacity	17,300 lbs.
B	Unladen Weight	24,000 lbs
C	Maximum Ground Speed	9 mph
D	Gradability	10%
E	Drive Rear/Front	7 kw x 1 / 6 kW x 2
F	Electrics	80V x 1000 Ah
G	Fork Section	9" x 2" x 58 1/2"
H	Front Tyre (solid rubber slick tyre)	OD 22" / Width 12"
I	Rear Tyre	OD 33" / Width 13"
J	Standard Colour	Yellow & Grey
K	Suspension Seat	Grammar MSG65/521

Multi-Directional



Features Include:

- Rubber Mounted Cabin
- Multi-Direction Operation
- Load Sensing Steering
- 3 Wheel Drive
- 4-way lever positioning of Wheels
- AC Motor Technology

Distributed by:



Australian Patent No. 2014217777; Brazilian Patent Application No. BR 11 2015 020348 5; Canadian Application No. 2,901,522; Chinese Patent No. ZL 201480009365.9; European Patent No. 2956350; German Patent No. 60 2010 037 116.6; Indian Patent Application No. 2438/MUMNP/2015; United States Patent No. 9,561,943; UK Patent Application No. 1803601.2; PCT Application No. PCT/EP2019/051235

COMBILIFT HAS A POLICY OF CONTINUOUS PRODUCT DEVELOPMENT AND RESERVES THE RIGHT TO ALTER SPECIFICATIONS WITHOUT PRIOR NOTICE. SPECIFICATIONS AND/OR DIMENSIONS MAY VARY FROM THOSE ILLUSTRATED IN SOME COUNTRIES.