

TASK



+ TASKPYTHON®

HEAVY DUTY STRADDLE STACKER

HEAVY DUTY STACKER.

The PYTHON® Heavy Duty pedestrian stacker is available in capacities up to 4400lbs, making the PYTHON® pedestrian stacker a true 2 tonne unit.

The electronic power steering makes the PYTHON® a simple, easy to operate stacker; the optional three stage "full free lift" mast is an ideal solution for users working within tight height restrictions.

The unit has options of a tilting carriage and side-shift allowing operators to maneuver pallets and materials safely, and more efficiently.

INDUSTRY READY.

The PYTHON® is supplied with a 290AH industrial battery, with optional upgrades to the larger 510AH industrial battery. - This allows operators multiple shift use before needing to recharge the unit.

All the functions including lift and lower are controlled using Task's VTC (Variable Total Control) module. This provides users with absolute control when operating the PYTHON®.



TASKPYTHON®

STRADDLE STACKER

CURTIS® CONTROLLED.

The Curtis® Programmable Control System with Multi-mode allows infinite control of all machine functions.



Authorized TASK® support technicians are able to adjust and optimize settings to meet environmental requirements or different operator skill levels.

WEB: FAIRCHILDEQUIPMENT.COM

CALL US: (844) 432-4724

EMAIL: INFO@FAIRCHILDEQUIPMENT.COM



138" - 177"
Lift Height



3000 - 4400
Lbs Capacity

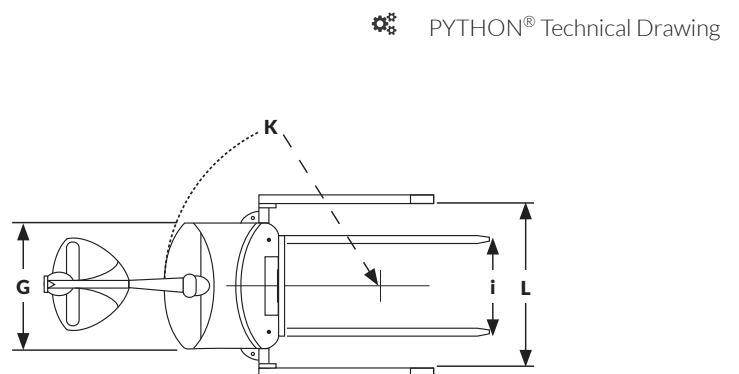
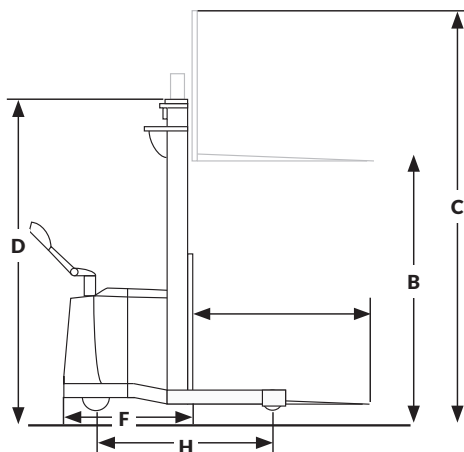


Heavy Duty
Stacker

TECHNICAL INFO

	MODEL	TWO STAGE	THREE STAGE
Lift Height Inches		134"	177"
A. Rated Capacity At 24" L.C. (Lbs)	3000	3000 Lbs	3000 Lbs
	4400	4400 Lbs	4400 Lbs
B. Lift Height Inches		134"	177"
C. Extended Height Inches With Load Backrest		185"	224"
D. Collapsed Height Inches	3000	89"	84"
	4400	89"	84"
E. Free Lift Inches		Nil	59"
F. Chassis Length Inches (To Face Of Forks)	3000	40"	41"
	4400	42"	43"
G. Chassis Width Inches		36.5"	
H. Wheelbase Inches	3000	56"	57"
	4400	58"	59"
I. Carriage Width Inches		32"	
J. Chassis Under Clearance Inches		2"	
K. Turning Radius Inches	3000	67"	68"
	4400	68"	69"
L. Straddle I.D / O.D Inches	3000	42" / 50" Or 50" / 58"	
	4400	42" / 54" Or 50" / 62"	
M. Weight Less Battery (Lbs)	3000	2668 Lbs	2888 Lbs
	4400	3175 Lbs	3616 Lbs
N. Battery Compartment Size Inches	Standard	35" Wide X 7.5" Long X 24" High	
	Optional	31.5" Wide X 13.25" Long X 24" High	
O. Right Angle Stacking Aisle Inches		Dimension F + Load Length + 4 Inches	

TASKPYTHON®



PYTHON® Technical Drawing

STRADDLE
STACKER

Due to continuous product improvement, specifications are subject to change without notice or obligation. Some systems and features shown are optional at extra cost.

WEB: FAIRCHILDEQUIPMENT.COM CALL US: (844) 432-4724
EMAIL: INFO@FAIRCHILDEQUIPMENT.COM

