

TASK



+ TASKCONDA® STRADDLE STACKER

COMPACT & EASY TO USE.

The CONDA® pedestrian stacker is designed for indoor use and perfect for a wide variety of applications such as dock operations, warehouses and storage centers.

Operators find the CONDA® pedestrian stacker a compact, simple and easy to use. The electronic power steering allows users to work in very narrow aisle spacings; and the optional three stage "full free lift" mast is an ideal solution for users working within tight height restrictions.

Additional options of a tilting carriage and side-shift will allow operators to maneuver pallets and materials safer, and more efficiently.

INDUSTRY READY.

The CONDA® is supplied with an industrial battery allowing operators multiple shift use before needing to be recharged. The inbuilt charger allows users to charge the machine via a standard 110V wall plug.



CURTIS® CONTROLLED.

The Curtis® Programmable Control System with Multi-mode allows infinite control of all machine functions.



Authorized TASK® support technicians are able to adjust and optimize settings to meet environmental requirements or different operator skill levels.

TASKCONDA®

STRADDLE STACKER

WEB: FAIRCHILDEQUIPMENT.COM

CALL US: (844) 432-4724

EMAIL: INFO@FAIRCHILDEQUIPMENT.COM



98"- 138"
Lift Height



3000-3300
Lbs Capacity



Optional
Tilt Carriage

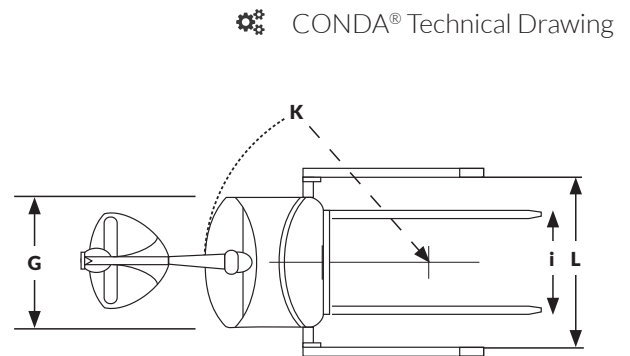
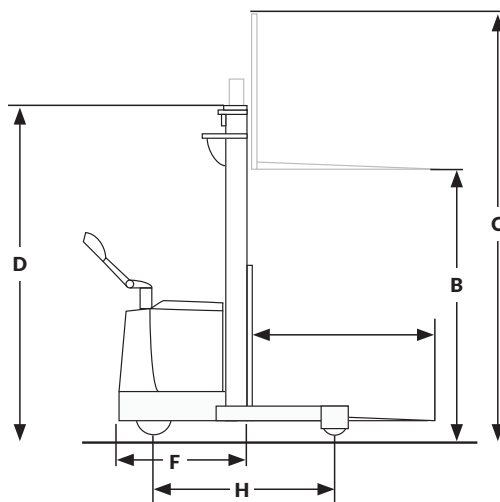


Built-In Single
Phase Charger

TECHNICAL INFO

		TWO STAGE			THREE STAGE
Lift height inches		98"	118"	138"	177"
A. Rated capacity at 600 inches L.C.	3000	3000 Lbs	3000 Lbs	3000 Lbs	3000 Lbs
	3300	3300 Lbs	3300 Lbs	3300 Lbs	3300 Lbs
B. Lift height inches		98"	118"	138"	177"
C. Extended height inches with load backrest		144"	163.75"	183.5"	226.5"
D. Collapsed height inches		70"	79.25"	89.75"	80"
E. Free lift inches		11"			59"
F. Chassis length inches to face of forks		29.5"			32.75"
G. Chassis width inches		32.5"			
H. Wheelbase inches		47.25"			61.5"
I. Carriage width inches		26"			
J. Chassis under clearance inches		2"			
K. Turning radius inches		57.75"			
L. Straddle (min / max) I.D/ O.D inches		Adjustable 42" / 48" or 50" / 56"			Fixed 42" / 48" or 50" / 56"
M. Weight less battery lbs		1970 Lbs	2035 Lbs	2100 Lbs	2909Lbs
Right angle stacking aisle inches		Dimension F + load length + 4 inches			

TASKCONDA[®]



STRADDLE
STACKER

Due to continuous product improvement, specifications are subject to change without notice or obligation. Some systems and features shown are optional at extra cost.

WEB: FAIRCHILDEQUIPMENT.COM CALL US: (844) 432-4724
EMAIL: INFO@FAIRCHILDEQUIPMENT.COM

