

# TASK



## + TASKBOA<sup>®</sup> LEGLESS<sup>®</sup> STACKER

### LEGLESS<sup>®</sup> STACKER.

This Legless<sup>®</sup> Stacker is the ultimate stacker in accessibility and efficiency.

The compact size of the BOA<sup>®</sup> allows operators to work in narrow, tight racking and aisles widths; without sacrificing capacity at lift heights.

### POWER & CONTROL.

The TASK<sup>®</sup> BOA<sup>®</sup> uses an industrial battery, extending the operating usage time for longer between charges. The BOA<sup>®</sup> has also been designed with an in-built single phase charger, allowing operators to easily charge the unit from any standard single phase 110v wall socket.

The BOA<sup>®</sup> comes standard with responsive electric power steering to reduce worker fatigue and make it easier for operators to use the stacker in tight areas. A tilting carriage offers further functionality on uneven areas when unloading.

Our ergonomically designed handles, allow users to operate the BOA<sup>®</sup> using the forward and reverse butterfly control for precise maneuvering and easy access of the lift/ lower and tilt functions for both left and right handed operators.



# TASKBOA<sup>®</sup>

## LEGLESS STACKER

### OPTIMIZED FOR YOU.

Using the latest generation in American engineered controllers, authorized TASK<sup>®</sup> support technicians are able to adjust and optimize settings to meet environmental requirements or different operator skill levels.



EMAIL: [INFO@TASKFORKLIFTS.COM](mailto:INFO@TASKFORKLIFTS.COM)

WEB: [TASKFORKLIFTS.COM](http://TASKFORKLIFTS.COM)

CALL US: (972) 522 7610

• DALLAS • SYDNEY • MELBOURNE • BRISBANE • ADELAIDE • SHANGHAI • SINGAPORE •



98" - 138"  
Lift Height



2000 - 2700  
Lbs Capacity



Integrated  
Tilt Carriage

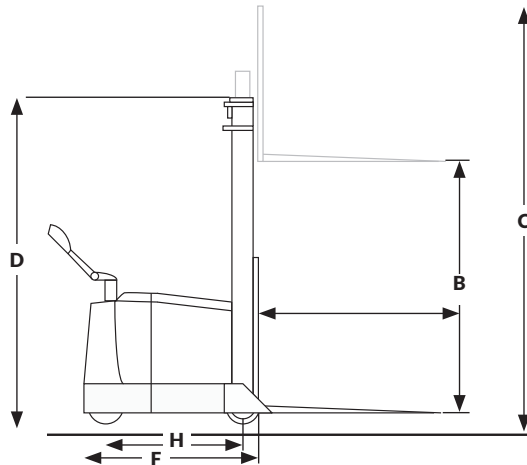


Built-In Single  
Phase Charger

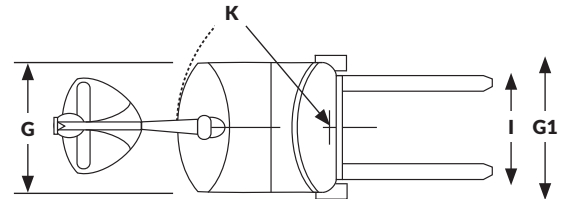
## TECHNICAL INFO

	MODEL	TWO STAGE			TWO STAGE (FULL FREE LIFT)
Lift Height (inches)		98"	118"	138"	98"
A. Rated Capacity at 600mm L.C. (lbs)	2000	2000	2000	2000	2000
	2700	2700	2700	2700	2700
B. Lift Height (inches)		98"	118"	138"	98"
C. Extended Height inches (with load Back Rest)		144.5"	164.5"	184.25"	144.5"
D. Collapsed Height (inches)		70"	80"	89.75"	72"
E. Free Lift (inches)		11.75"			48"
F. Chassis Length to Face of Forks (inches)	2000	48.25"			
	2700	56.5"			
G. Chassis Width (inches)		32.25"			
G1. Width Outside Load Wheels		40.75"			
H. Wheelbase (inches)	2000	38.25"			
	2700	46.25"			
I. Carriage Width (inches)		26"			
J. Chassis Under Clearance (inches)		3.25"			
K. Turning Radius (inches)	2000	43.25"			
	2700	51.25"			
L. Weight Without Battery (lbs)	2000	3675	3720	3765	3675
	2700	3740	3785	3830	3740
M. Battery Component Size (inches)		13.5" x 32" x 19.25"			
N. Right Angle Stacking Aisle (inches)		Dimension F + Load Length + 4"			

# TASKBOA®



BOA® Technical Drawing



LEGLESS  
STACKER

WEB: FAIRCHILDEQUIPMENT.COM CALL US: (844) 432-4724

EMAIL: INFO@FAIRCHILDEQUIPMENT.COM

