

Genie® Z[®]-33/18

Specifications

Models	Z-33/18	
Measurements	US	Metric
Working height max. ⁽¹⁾	38 ft 10 in	12 m
Platform height max.	32 ft 10 in	10 m
Horizontal reach max.	18 ft 3 in	5.57 m
Up and over clearance max.	14 ft 1 in	4.28 m
A Platform length	2 ft 6 in	0.76 m
B Platform width	3 ft 10 in	1.17 m
C Height - stowed (tires)	6 ft 6 in	1.98 m
D Length - stowed (tires)	13 ft 8 in	4.17 m
E Width	4 ft 11 in	1.50 m
F Wheelbase	6 ft 3 in	1.90 m
G Ground clearance - center	6.0 in	0.15 m

Productivity

Lift capacity max. - unrestricted	440 lb	200 kg
Jib length	—	—
Turntable rotation	400°	400°
Turntable tailswing	0 in	0 cm
Drive speed - stowed ⁽²⁾	3.2 mph	5.2 km/h
Gradeability - stowed ⁽²⁾	30%	30%
Tilt sensor activation (front to back/side to side)	2.5°- 4.5°/4.5°	2.5°- 4.5°/4.5°
Turning radius - inside/outside	6 ft 3 in	1.9 m
Tires (solid, non-marking)	22×9×17 in	56×23×43 cm

Power

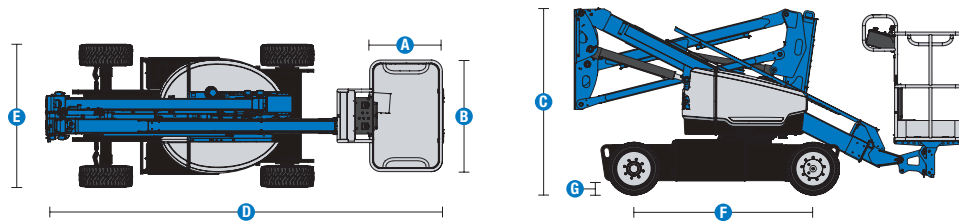
Power	48V DC (8×6V 350Ah)	48V DC (8×6V 350Ah)
Drive system	48V 3-Phase AC	48V 3-Phase AC
Auxiliary power unit	24V DC	24V DC
Hydraulic tank capacity	6 gal	20.8 L

Weight⁽³⁾ and Floor Loading⁽⁴⁾

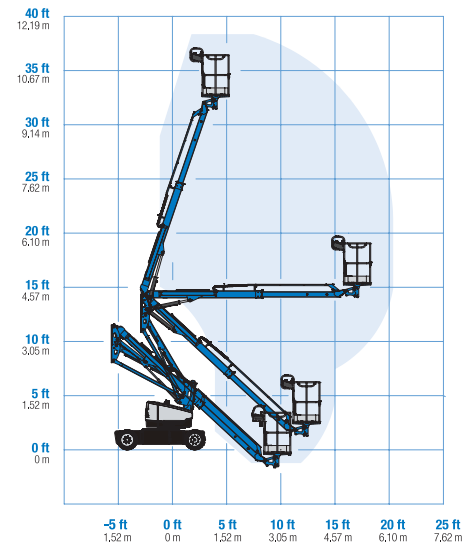
Weight (tires)	8,094 lb	3,671 kg
Tire contact pressure	70 psi	483 kPa
Occupied floor pressure (tires)	203 psf	9.72 kPa

Sound and Vibration Levels

Sound Pressure level (ground workstation)	< 70 dBA	< 70 dBA
Sound Pressure level (platform workstation)	< 70 dBA	< 70 dBA
Vibrations	8 ft 2 in/s ²	2.5 m/s ²



Range of motion Z-33/18



(1) The metric equivalent of working height adds 2m to platform height. The imperial equivalent adds 6ft to platform height.

(2) Gradeability applies to driving on slopes and may vary depending on options and machine configurations. See operator's manual for details regarding slope ratings.

(3) Weight refers to standard configuration and may vary depending on options and/or country standards.

(4) Floor loading information is approximate and may vary depending on options and machine configurations. It should be used only with adequate safety factors.

Genie® Z®-33/18

SKU: Standard Model

- **Z3300001AE0002:** Z-33/18, DC Power, 2WD

* Build to Order

Option availability		S	S+	BtO
Power	Standard FLA flooded lead acid battery	✓	✓	✓
	Low voltage interrupt (LVI) with battery charge indicator (BCI)	✓	✓	✓
Platform	3ft 10in/1.17m aluminum platform	✓	✓	✓
	Air line to platform			○
	Control box covers		○	○
	Light Package: drive and work lights		○	○
	AC Power cord to platform	✓	✓	✓
	Drive enable system	✓	✓	✓
	Horn	✓	✓	✓
	LCD display	✓	✓	✓
	Lift Guard Contact Alarm	✓	✓	✓
	Platform load sense system	✓	✓	✓
	Proportional controls	✓	✓	✓
	Self-leveling platform	✓	✓	✓
	Travel alarm package: flashing beacons, descent, travel and tilt alarms	✓	✓	✓
	Chassis	Lift Connect Telematics	✓	✓
Lift Connect with Access Manager upgrade			○	○
Biodegradable hydraulic oil				○
Multipurpose non-marking tires			○	○
Solid, non-marking tires		✓	✓	✓
Chassis tilt drive function cut-out		✓	✓	✓
Electric brake release		✓	✓	✓
Hour meter		✓	✓	✓
On-board diagnostic system		✓	✓	✓
Sealed AC electric drive motors		✓	✓	✓
Solid, non-marking tires	✓	✓	✓	

- S Standard
- S+ Standard +
- BtO Build to Order
- ✓ Standard Features
- Options



Compact Chassis



400° Turntable Rotation



Low Floor Loading



Genie Genuine Accessories⁽¹⁾

- Lift Tools Productivity Tools
- Lift Connect Telematics
- Tech Pro Link Handheld Device

(1) More accessories available from Genie Genuine Parts.

Product specifications are subject to change without notice or obligation. Photographs and/or drawings herein are for illustrative purposes only. Refer to the appropriate Operator's Manual for instructions on proper equipment use. Failure to follow instructions in the Operator's Manual may result in serious injury or death. The only warranty applicable to our equipment is the standard written warranty applicable to the particular product and sale and we make no other warranty, express or implied. Products and services listed may be trademarks, service marks or trade names of Terex Corporation and/or their subsidiaries in the USA and many other countries. Terex, Genie, Quality By Design, Xtra Capacity, Lift Power, Lift Guard, Lift Tools, Lift Connect and Tech Pro Link are registered trademarks of Terex Corporation or its subsidiaries.

