

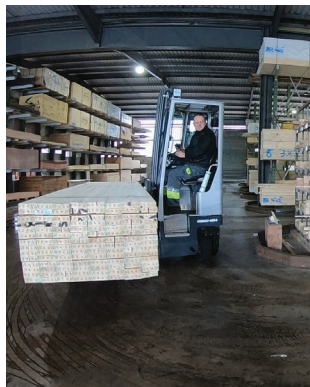
# COMBi-MR4 3000 kg Dynamic 360°

Incorporating our proprietary Dynamic 360° Steering System the Comb-MR4 enables seamless and intuitive directional change while driving.

# COMBiLiFT

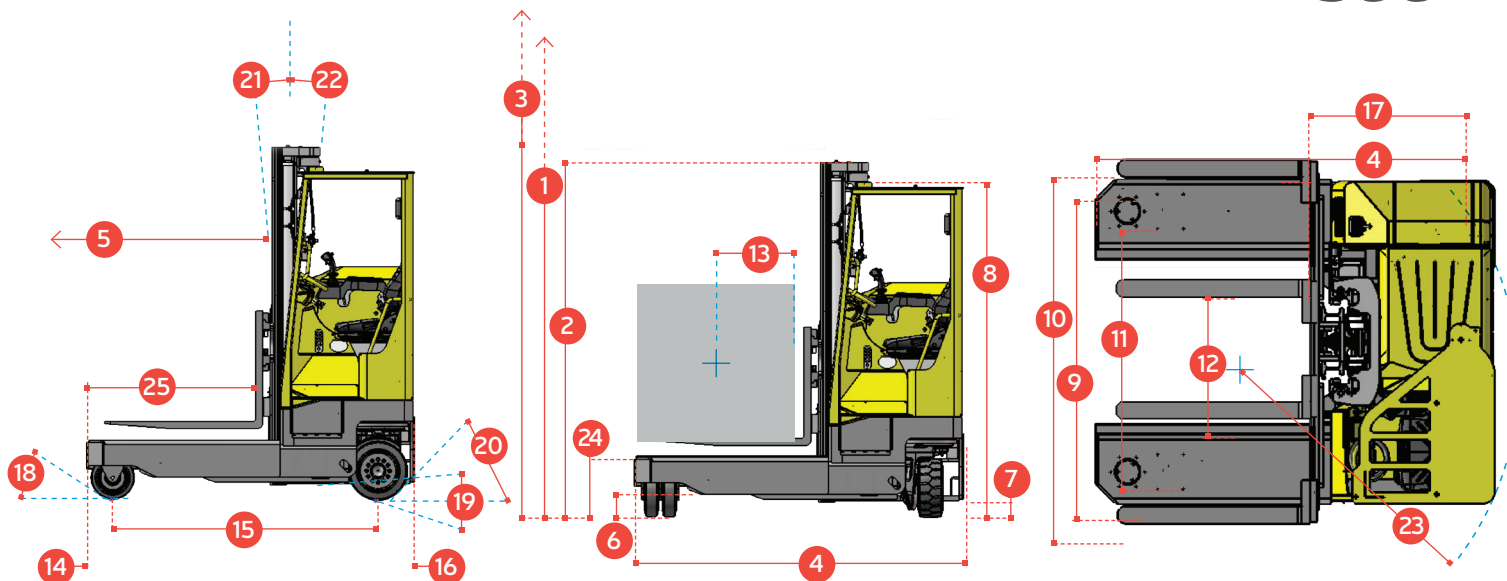
LIFTING INNOVATION

## Dynamic 360°



# COMBi-MR4 3000 kg

## Dynamic 360®



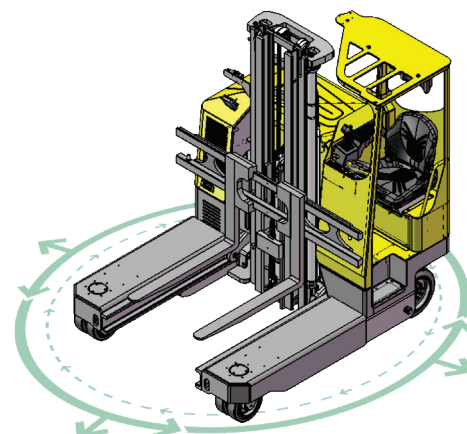
This compact truck features two rear wheel drive with rubber tyres and dynamic 360° steering rotation, contributing to faster procedures for manufacturing distribution and logistics operations.

REF.	DESCRIPTION	STANDARD	OPTIONAL
1a	Standard Lift Height	4040 mm	5540 mm
1b	Freelift Height	0 mm	1480 mm
2	Height Mast Closed	2670 mm	2490 mm
3	Max. (Mast raised)	4750 mm	6530 mm
4	Overall Length	2300 mm	
5	Mast Travel	1250 mm	
6	Ground Clearance Under Mast	100 mm	
7	Ground Clearance to Wheelbase	100 mm	
8	Height Over Cab (without work lights)	2350 mm	
9	Overall Width	1950 mm	
10	Width over forks	2110 mm	
11	Track Front	1510 mm	
12	Frame Opening	950 mm	
13	Load Centre Distance	600 mm	
14	Overhang Front	185 mm	
15	Wheelbase	1875 mm	
16	Overhang Back	250 mm	
17	Length From Face of Fork	1105 mm	
18	Approach Angle	35°	
19	Ramp Angle	15°	
20	Departure Angle	35°	
21	Forward Tilt	2°	
22	Backward Tilt	4°	
23	Minimum Outside Radius	1955 mm	
24	Platform Height	390 mm	
25	Platform Length	1200 mm	
26	Chassis Width	1850 mm	

A	Capacity	2500 kg
B	Unladen Weight	5000 kg
C	Maximum Ground Speed	7 km/h
D	Gradability	7%
E	AC Rear Drive	6 kW
F	Battery	48V x 775Ah
G	Fork Section	50 mm x 100 mm x 1150 mm
H	Vulkollan Front Tyre	OD 250 mm / Width 75 mm
I	Solid Rubber Rear Tyre	OD 412mm / Width 180 mm

rev. 2.1

### Multi-Directional



### Features Include:

- Seated Operator Over-Head Guard
- Multi-Direction Operation
- AC Electric Steering
- AC Motor Technology
- Multi-Function Joystick
- Dynamic 360° Steering

### Distributed by:



COMBILIFT HAS A POLICY OF CONTINUOUS PRODUCT DEVELOPMENT AND RESERVES THE RIGHT TO ALTER SPECIFICATIONS WITHOUT PRIOR NOTICE. SPECIFICATIONS AND/OR DIMENSIONS MAY VARY FROM THOSE ILLUSTRATED IN SOME COUNTRIES.