

WPS Series

An ergonomic alternative to manual lifting, intermediate-duty stacking and pallet positioning applications.

CAPACITY

- 2200 lb (1000 kg) at 24" (610 mm) load center

LIFT HEIGHTS

- 63" (1600 mm) - 98" (2489 mm) - 118" (2997 mm)
130" (3302 mm) - 150" (3810 mm)

BATTERY

- 12 V/100 AH system comes with minimum maintenance deep cycle battery

CHARGER

- Built-in 10 Amp plug-in battery charger for 115/1/60 power supply

CHASSIS WEIGHT

- 63" lift height – 1078 lb (489 kg)
- 98" lift height – 1210 lb (549 kg)
- 118" lift height – 1254 lb (569 kg)
- 130" lift height – 1340 lb (608 kg)
- 150" lift height – 1380 lb (626 kg)

FORKS

- 42" long x 4" wide x 1.4" thick

PERFORMANCE

Travel: Manual push

Lift: Electric / Hydraulic

Lowering: Hydraulic - variable

Lift Speed: 3.15"/sec - loaded

Lift Speed: 3.94"/sec - unloaded

Lowering Speed: 5.90"/sec - loaded

Lowering Speed: 4.72"/sec - unloaded

WHEELS

- Steering (2) 7" diameter x 2" - phenolic
- Load rollers (2) 3.25" diameter x 4" - phenolic

CONTROLS

- Raise and lower lever buttons located on dash
- Emergency power disconnect button located on dash
- Slip resistant foot actuated floor lock for secure grip while parked
- Ergonomic push/pull handles come with spring pivot steering handles
- On/off key switch

HYDRAULICS

- Heavy duty lift cylinder
- Hydraulic reservoir with filter



ELECTRICAL

- Battery discharge indicator
- Integral 110 VAC charger

FRAME AND MAST

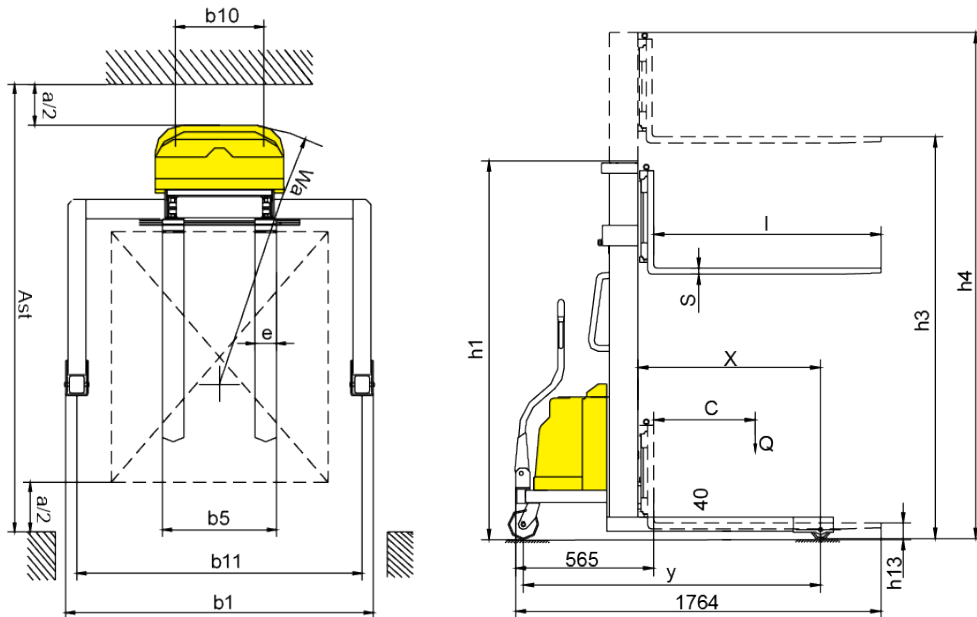
- All steel construction welded rigid steel chassis for distortion free service life
- Adjustable forks on pin style fork carriage
- High visibility mast with single lifting chain and heavy mast rollers
- Mast guard
- Chrome plated lift cylinder provides smooth lift/lower operation and long life
- Adjustable straddle legs - 36" (914 mm) to 50" (1270 mm) inside dimension
- Straddle adjustment jack supports

SERVICEABILITY

- One piece cover allows access to all major components for inspection and maintenance
- Externally mounted 110 VAC charger plug and cord

Specifications

Model #	WPS22-63	WPS22-98	WPS22-118	WPS22-130	WPS22-150
Capacity	2200 lb (1000 kg)	2200 lb (1000 kg)	2200 lb (1000 kg)	2200 lb (1000 kg)	2200 lb (1000 kg)
Lift height	63"	98"	118"	130"	150"
Down rating	N/A	N/A	N/A	N/A	1320 lb over 130"
Load centre	24" (609 mm)	24" (609 mm)	24" (609 mm)	24" (609 mm)	24" (609 mm)
Load distance, centre of drive axle to fork	31.5" (800 mm)	31.5" (800 mm)	31.5" (800 mm)	31.5" (800 mm)	31.5" (800 mm)
Lowered fork height (h13)	2.75" (70 mm)	2.75" (70 mm)	2.75" (70 mm)	2.75" (70 mm)	2.75" (70 mm)
Maximum lift height (h3)	63" (1600 mm)	98" (2500 mm)	118" (3000 mm)	130" (3302 mm)	150" (3810 mm)
Height, mast lowered (h1)	84.5" (2150 mm)	74.5" (1900 mm)	84.5" (2150 mm)	90.4" (2296 mm)	101" (2565 mm)
Height, mast extended (h4)	84.5" (2150 mm)	120" (3048 mm)	140" (3556 mm)	152" (3861 mm)	173.6" (4409 mm)
Fork dimensions (L/W/H)	4"/42"/1.2" (101/1067/30.5 mm)	4"/42"/1.2" (101/1067/30.5 mm)	4"/42"/1.2" (101/1067/30.5 mm)	4"/42"/1.2" (101/1067/30.5 mm)	4"/42"/1.2" (101/1067/30.5 mm)
Overall width of body	44.5" (1130 mm)	44.5" (1130 mm)	44.5" (1130 mm)	44.5" (1130 mm)	44.5" (1130 mm)
Overall width of forks (b5)	8" to 32" (203 to 813 mm)	8" to 32" (203 to 813 mm)	8" to 32" (203 to 813 mm)	8" to 32" (203 to 813 mm)	8" to 32" (203 to 813 mm)
Aisle width for pallet 31.5" x 48" (Ast)	84.5" (2150 mm)	84.5" (2150 mm)	84.5" (2150 mm)	84.5" (2150 mm)	84.5" (2150 mm)
Turning radius (Wa)	52.8" (1341 mm)	52.8" (1341 mm)	52.8" (1341 mm)	52.8" (1341 mm)	52.8" (1341 mm)
Lift speed, laden/unladen	3.14"/sec (808 mm/sec)	3.14"/sec (808 mm/sec)	3.14"/sec (808 mm/sec)	3.14"/sec (808 mm/sec)	3.14"/sec (808 mm/sec)
Lowering speed, laden/unladen	5.9"/sec (150 mm/sec)	5.9"/sec (150 mm/sec)	5.9"/sec (150 mm/sec)	5.9"/sec (150 mm/sec)	5.9"/sec (150 mm/sec)
Battery voltage, nominal capacity K5	12V/200Ah	12V/200Ah	12V/200Ah	12V/200Ah	12V/200Ah
Battery weight	132 lb (60 kg)	132 lb (60 kg)	132 lb (60 kg)	132 lb (60 kg)	132 lb (60 kg)
Battery dimensions (L/W/H)	9.8"/7.5"/11.7" (249/190/297 mm)	9.8"/7.5"/11.7" (249/190/297 mm)	9.8"/7.5"/11.7" (249/190/297 mm)	9.8"/7.5"/11.7" (249/190/297 mm)	9.8"/7.5"/11.7" (249/190/297 mm)
Service weight (with battery)	1078 lb (489 kg)	1210 lb (549 kg)	1254 lb (569 kg)	1340 lb (608 kg)	1380 lb (626 kg)



BLUE GIANT
BLUE GIANT EQUIPMENT CORPORATION

Corporate 410 Admiral Blvd
Mississauga, ON, Canada L5T 2N6
t 905.457.3900 f 905.457.2313

USA 6350 Burnt Poplar Road
Greensboro, NC 27409
www.bluegiant.com



CUSTOMERS FOR LIFE

Blue Giant offers a full line of dock levelers, dock safety equipment, seals and shelters, accessories, ergonomic and scissor lift equipment and industrial trucks. Concurrent with our continuing product improvement program, specifications are subject to change without notice. Please contact Blue Giant for latest information. Some features illustrated may be optional in certain market areas.