

# COMBi-CBE8

The innovative Combi-CBE8 is designed to increase productivity, improve safety and help increase your storage capacity both indoors & outdoors.

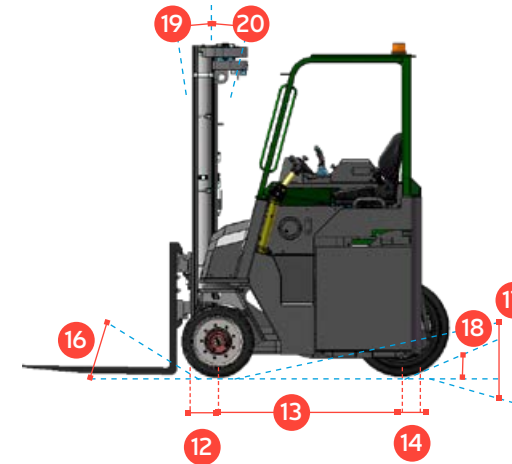
# COMBiLiFT

LIFTING INNOVATION

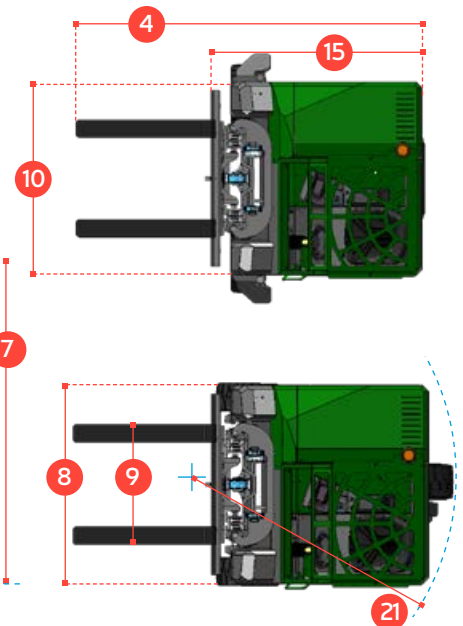
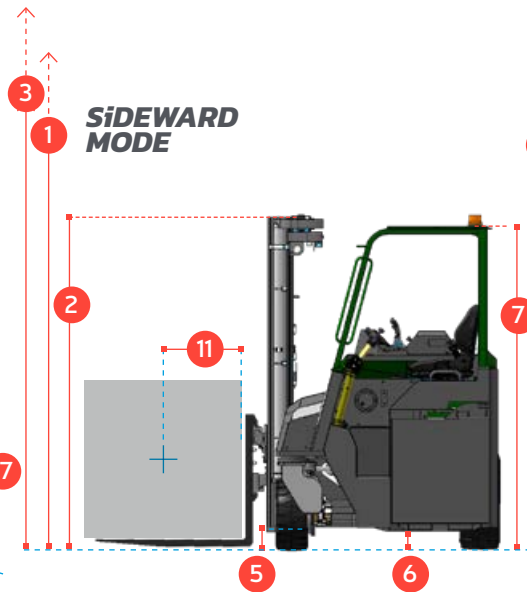


# COMBi-CBE8

## FRONTAL MODE



## SIWARD MODE



### REF. DESCRIPTION

### STANDARD

|    |                                                   |                              |
|----|---------------------------------------------------|------------------------------|
| 1a | Standard Lift Height                              | 159"                         |
| 1b | Free Lift Height                                  | 0"                           |
| 2  | Height Mast Closed                                | 114"                         |
| 3  | Max. (Mast raised)                                | 199"                         |
| 4  | Overall Length                                    | 114"                         |
| 5  | Ground Clearance Under Mast                       | 6"                           |
| 6  | Ground Clearance to Wheelbase Centre              | 5"                           |
| 7  | Height of Overhead Guard                          | 92 3/4"                      |
| 8  | Width                                             | 65"                          |
| 9  | Outside Spread of Fork Arms                       | 59"                          |
| 10 | Track Front                                       | 55"                          |
| 11 | Load Centre Distance                              | 23 1/2"                      |
| 12 | Overhang Front                                    | 14 1/3"                      |
| 13 | Wheelbase                                         | 53"                          |
| 14 | Overhang Back                                     | 6"                           |
| 15 | Length From Face of Fork                          | 73 1/2"                      |
| 16 | Approach Angle                                    | 30°                          |
| 17 | Ramp Angle                                        | 20°                          |
| 18 | Departure Angle                                   | 30°                          |
| 19 | Forward Tilt                                      | 3°                           |
| 20 | Backward Tilt                                     | 7°                           |
| 21 | Minimum Outside Radius                            | 65 3/4"                      |
| A  | Capacity                                          | 8000 lbs                     |
| B  | Unladen Weight                                    | 19275 lbs                    |
| C  | Maximum Ground Speed                              | 7 m/h                        |
| D  | Gradeability                                      | 10%                          |
| E  | Battery Capacity                                  | 72 V / 775 Ah                |
| F  | AC Electric Traction Motor x 3                    | 4 hp (front) / 6.7 hp (rear) |
| G  | AC Electric Pump Motor                            | 25.5 hp                      |
| H  | Fork Section                                      | 6 x 2 x 42                   |
| I  | 21 x 9 x 22 Front Tyre x 2 (Solid Rubber)         | OD 21 / Width 9              |
| J  | 28 x 10 x 22 Rear Tyre x 1 (Super Elastic Rubber) | OD 28 / Width 10             |
| K  | Standard Colour                                   | Green and Grey               |
| L  | Suspension Seat                                   | Grammer MSG 65               |

### Multi-Directional



### Features Include:

- Open cabin
- Load sensing steering
- 4-Way lever positioning of wheels
- System Communication via CAN-BUS
- Multi-directional operation
- 3 wheel electric drive
- Powered by AC technology

### Distributed by:



Patents - Load Carrying Trucks - Australian Patent No. 2014217777; Brazilian Patent Application No. BR 11 2015 020348 5; Canadian Application No. 2,901,522; Chinese Patent No. ZL 201480009365.9; European Patent No. 2956350; German Patent No. 60 2010 037 116.6; Indian Patent Application No.2438/MUMNP/2015; United States - United States Patent No. 9,561,943;

Design Registration - Canada - Canadian Design Registration No. 123292; Switzerland - Swiss Design Registration No. 134.557; Europe - European Design Registration No. 00725668-0001; Japan - Japanese Design Registration No. 1330896; South Korea - South Korean Design Registration No. 30-0516087; Russian Federation - Russian Design Registration No. 70814; Taiwan - Taiwanese Design Registration No. D126056; USA - US Design Patent No. D579,624;

COMBILIFT HAS A POLICY OF CONTINUOUS PRODUCT DEVELOPMENT AND RESERVES THE RIGHT TO ALTER SPECIFICATIONS WITHOUT PRIOR NOTICE. SPECIFICATIONS AND/OR DIMENSIONS MAY VARY FROM THOSE ILLUSTRATED IN SOME COUNTRIES.

(844) 432-4724

fairchildequipment.com