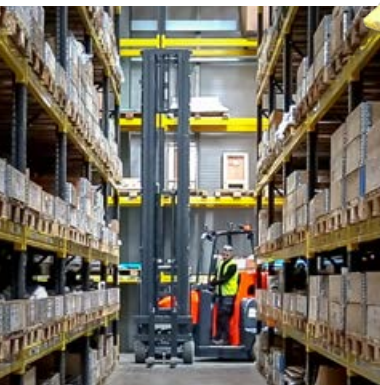


Aisle Master **AME-OP**

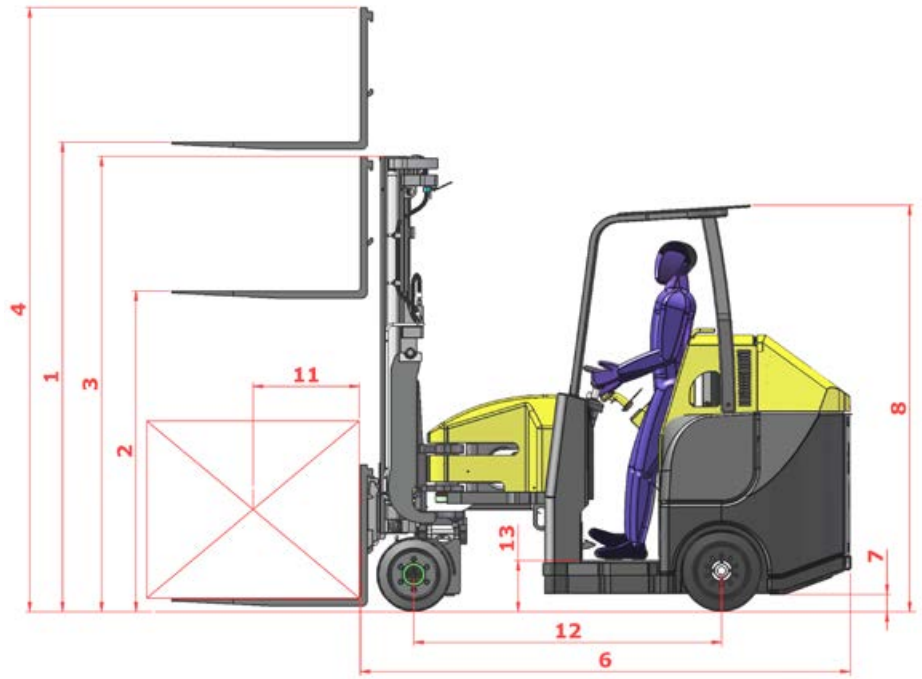
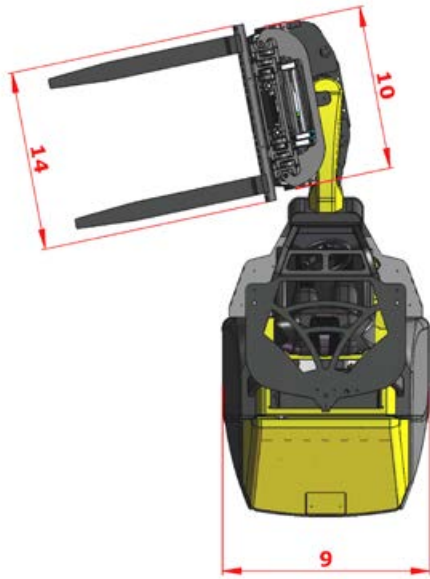
The Aisle Master - Order Picker is the perfect articulated forklift for order picking in narrow aisles and is designed for operator comfort with ease of access on both sides

AISLE MASTER

LIFTING INNOVATION



Aisle Master AME-OP



Ref.	Description	Metric	Imperial
1	Lift height	4300 mm	278"
2	Free Lift Height	2265 mm	96"
3	Height Mast Closed	1365 mm	131"
4	Height Mast Raised	5174 mm	312"
5	Mast Range	4300-12100 mm	169" - 476"
6	Overall length	2780 mm	109"
7	Ground Clearance	87 mm	3.5"
8	Overhead Guard Height	2286 mm	90"
9	Chassis width - rear	1400 mm	55"
10	Chassis width - front	980 mm	39"
11	Load Centre	600 mm	24"
12	Wheel Base	1733 mm	68 1/4"
13	Step Height	280mm	11"
14	Fork Carriage Width	980 mm	39"
15	Mast Tilt (Back/Fwd)	3 // 1Degrees	
16	Capacity	2000 kg	4400 lbs
17	Ground Speed	8 Km/h	5 mph
18	Lift Speed - Laden / Unladen	0.4 / 0.5 m/s	1.3 / 1.6 ft/s
19	Front tyre size	412 x 174 mm	16 1/4" x 7"
20	Rear tyre size	457 x 228	18" x 9"
21	Gradeability - Laden/Unladen	12% / 15%	12% / 15%
22	Battery Voltage/Capacity	48V / 775 / 930Ah	48V / 775 / 930Ah
23	Truck weight less battery	6165 kg	13563 lbs



Features Include:

- AC Technology
- Joystick Traction & Mast Controls
- Entry / Exit from Both Sides
- Hydraulic Steering
- Spring Applied Parking Brake
- 205° Articulation

Distributed by:



Design Copyright:

Australian Design Registration No. 365713, Brazilian Design Application No. BR 30 2015 004606-6, Canadian Design Registration No. 164792, Chinese Registrations No. CN 303772056 S, European Design Registration No. 002676809-0001, Mexican Design Application No. MX/f/2015/003009, New Zealand Design Registration No. 420771, Russian Federation Design Application No. 2015503571, US Design Application No. 29/541,841

Patent Information:

Australian Patent No. 201428063, Brazilian Patent Application No. BR 112015031066-4, Canadian Patent Application No. 2,914,140, Chinese Patent No. 2014800337244, European Patent No. 3008008, German Patent No. 60 2008 037 695.8, Indian Patent Application No. 3471/MUMNP/2015, Mexican Patent No. 363297, New Zealand Patent No. 714545, Russian Patent No. 2647827, U.S. Patent No. 9,586,798

COMBILLIT HAS A POLICY OF CONTINUOUS PRODUCT DEVELOPMENT AND RESERVES THE RIGHT TO ALTER SPECIFICATIONS WITHOUT PRIOR NOTICE. SPECIFICATIONS AND/OR DIMENSIONS MAY VARY FROM THOSE ILLUSTRATED IN SOME COUNTRIES.

Co. Monaghan
Ireland

+353 47 80500
Info@aisle-master.com

aisle-master.com