

COMBi-WR4

Pedestrian Reach Stacker

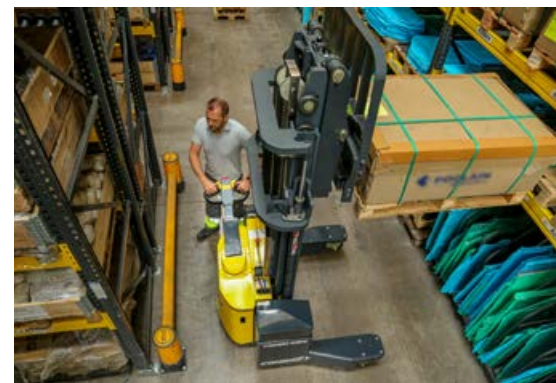
The first purpose built pedestrian reach stacker combining innovative features, effortless operation and safety.

COMBiLiFT

LIFTING INNOVATION

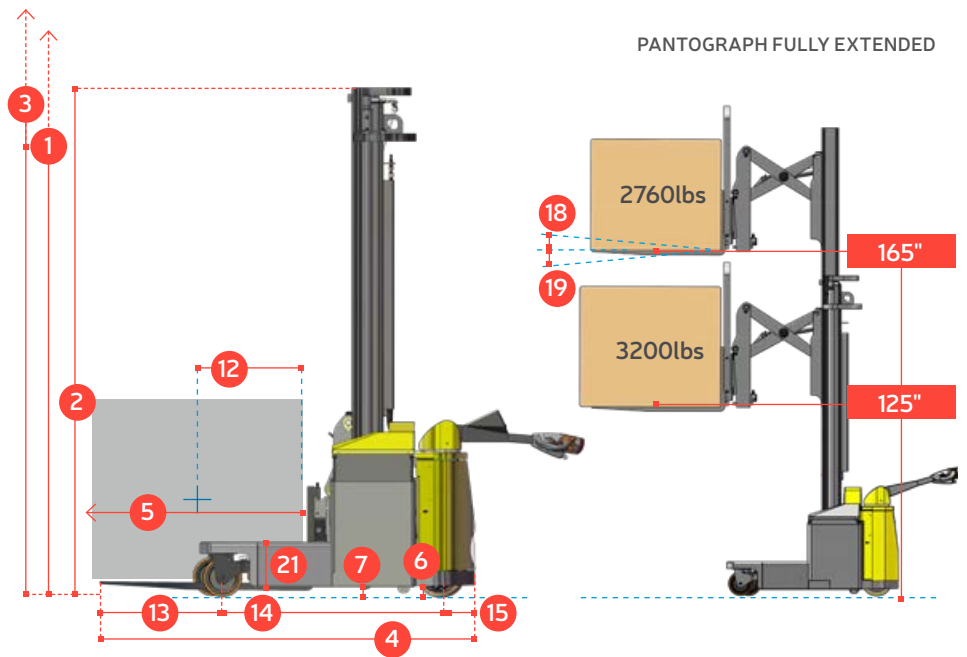
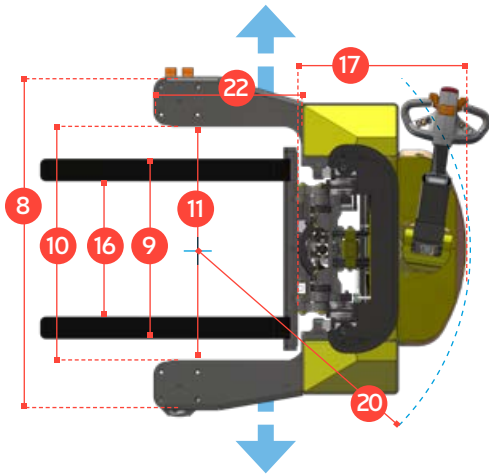


Patented Multi-Position
Tiller Arm



COMBi-WR4

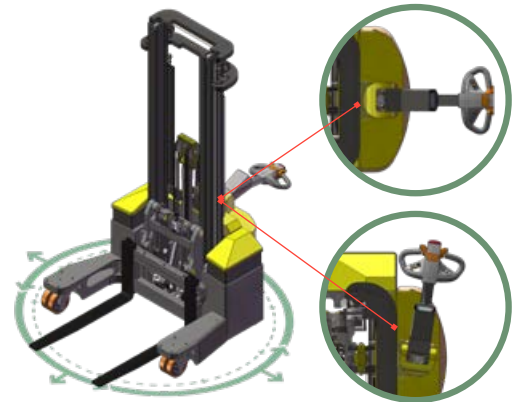
Pedestrian Reach Stacker



REF.	DESCRIPTION	STD.	OPTIONAL	
1a	Max. Lift Height	118"	165"	193"
1b	Free Lift Height	35½"	59"	73"
2	Height Mast Closed	83"	106"	120"
3	Max. (Mast Raised)	165"	213"	240"
4	Overall Length		77"	
5	Fork Travel		23"	
6	Ground Clearance Under Mast		3"	
7	Ground Clearance to Center of Wheelbase		2"	
8	Width		59½"	
9	Outside Spread of Fork Arms		32"	
10	Track Front		51"	
11	Frame Opening		41½"	
12	Load Center Distance		24"	
13	Overhang Front		26"	
14	Wheelbase		44"	
15	Overhang Back		7"	
16	Fork Side Shift		3" Left / 3" Right	
17	Length from Face of Fork		34½"	
18	Fork Backward Tilt		3°	
19	Fork Forward Tilt		3°	
20	Minimum Outside Radius		53"	
21	Leg Height		11"	
22	Leg Length		21"	
A	Capacity	3,200 lbs @ 125" Lift		
B	Unladen Weight	5,700 lbs	6,000lbs	6,200 lbs
C	Maximum Ground Speed	3¾ mph		
D	Gradeability	5%		
E	Battery Capacity	24V / 270 Ah		
F	Fork Section	1½" x 4" x 42"		
G	Front Tire x 4 (Polyurethane)	OD 8" / Width 2"		
H	Rear Tire (Vulkollan)	OD 10" / Width 3"		
I	Standard Color	Yellow & Gray		
J	AC Electric Traction Motor	24V / 3.35 HP		
K	AC Electric Pump Motor	24V / 6.7 HP		

Superior safety with Combilift's patented Multi-Position Tiller Arm

The tiller arm can be turned to the left or right to allow the operator to remain at the side. This enables full visibility of the load and forks, while maintaining full steering control, providing greater awareness of the surroundings for enhanced overall safety.

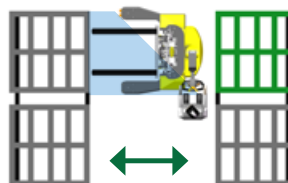


Features Include:

- Pantograph
- Power Steering
- AC Motor Technology
- Multi-Directional
- 47" High Load Back Rest
- Rear Wheel Drive
- 3/3" Side Shift
- Patented Multi-Position Tiller Arm

Standing to the side of the stacker eliminates the risk of being trapped or crushed whilst allowing the Combi-WR4 to operate in very narrow aisles.

Using Combi-WR4



International Application No. PCT/EP2012/067238 Multi Position Tiller; GB Patent No. 2531778; International Patent Application No. PCT/EP2015/074906.

Distributed by:



COMBILIFT HAS A POLICY OF CONTINUOUS PRODUCT DEVELOPMENT AND RESERVES THE RIGHT TO ALTER SPECIFICATIONS WITHOUT PRIOR NOTICE. SPECIFICATIONS AND/OR DIMENSIONS MAY VARY FROM THOSE ILLUSTRATED IN SOME COUNTRIES.