

COMBi-CS

Counter-balanced Stacker

Equipped with our patented multi-position tiller arm the Combi-CS offers safer operation, maximum operator visibility and narrow aisle performance.

COMBiLiFT

LIFTING INNOVATION

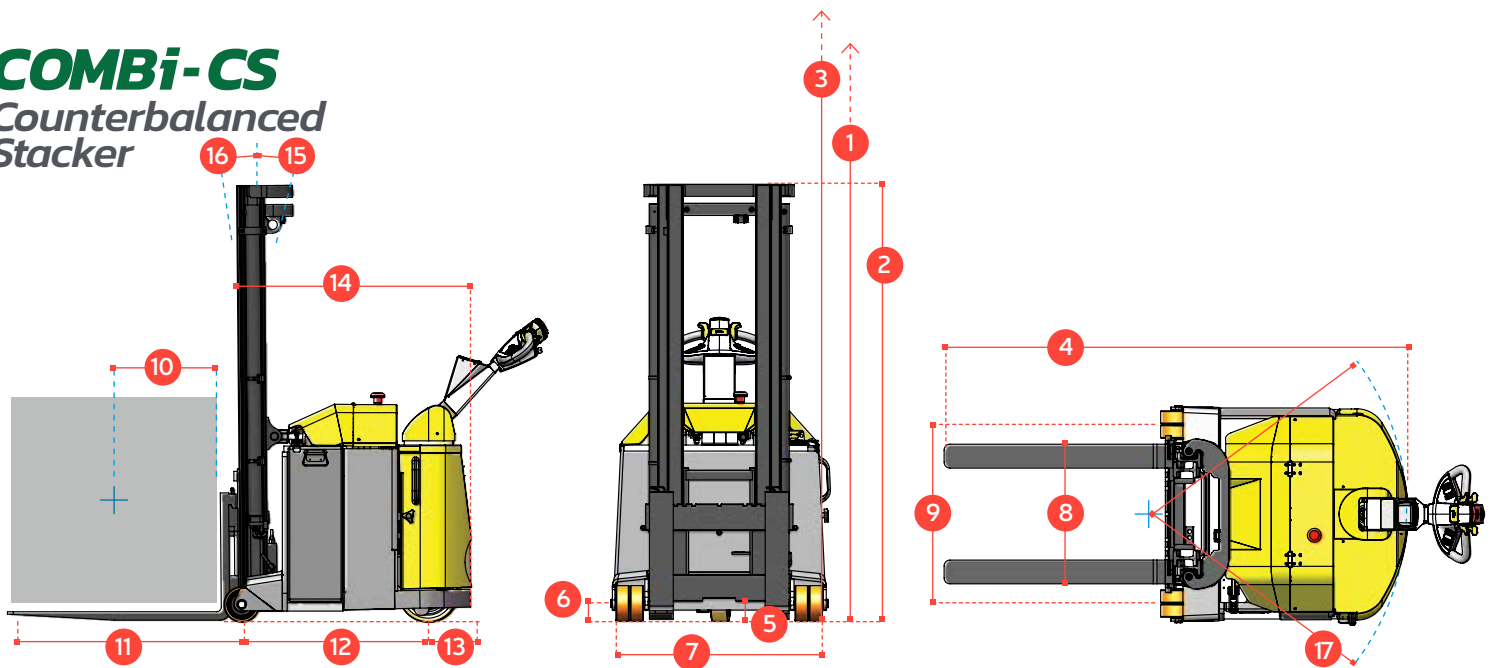


Patented Multi-Position
Tiller Arm



COMBI-CS

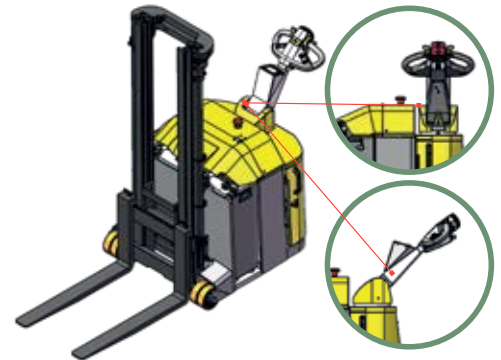
Counterbalanced Stacker



REF.	DESCRIPTION	STD.	OPTION	
1	Max. Lift Height		98"	
2	Height Mast Closed		72"	
3	Max. (Mast raised)		124"	
4	Overall Length	79"	85"	91"
5	Ground Clearance Under Mast		3"	
6	Ground Clearance to Center of Wheelbase		2"	
7	Width		35"	
8	Outside Spread of Fork Arms		24½"	
9	Track Front		29"	
10	Load Center Distance		20"	
11	Overhang Front		40¾"	
12	Wheelbase	31"	37"	42½"
13	Overhang Back		7"	
14	Length From Face of Fork	41"	47"	53"
15	Fork Backward Tilt		5°	
16	Fork Forward Tilt		2°	
17	Minimum Outside Radius	38"	44"	50"
A	Capacity	2200 lbs	2750 lbs	3300 lbs
B	Unladen Weight	5060 lbs	5170 lbs	5280 lbs
C	Maximum Ground Speed		4 mph	
D	Gradeability		5%	
E	Battery Capacity		24 V / 330 Ah	
F	Fork Section		1½" x 4" x 37½"	
G	Front Tire (Polyurethane)		OD 6" / Width 2"	
H	Rear Tire (Vulkollan)		OD 10" / Width 3"	
I	Standard Color		Yellow & Gray	
J	AC Electric Traction Motor		24 V / 3.35 HP	
K	AC Electric Pump Motor		24 V / 6.7 HP	

Superior safety with Combilift's patented Multi-Position Tiller Arm

The tiller can be turned to the left or right to allow the operator to remain at the side. This enables full visibility of the load and forks, while maintaining full steering control, providing greater awareness of the surroundings for enhanced overall safety.



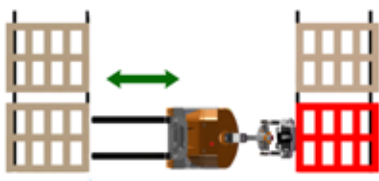
Features Include:

- Power Steering
- AC Motor Technology
- Rear Wheel Drive
- Patented Multi-Position Tiller Arm

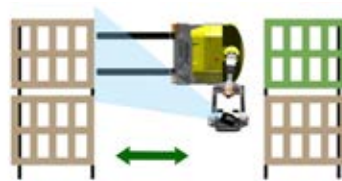
Distributed by:



Without Combi-CS



Using Combi-CS



Standing to the side of the stacker eliminates the risk of being trapped or crushed while allowing the Combi-CS to operate in very narrow aisles.

International Application No. PCT/EP2012/067238, US Application No. 14/425.498, Canadian Application No. 2,883,909

COMBILIFT HAS A POLICY OF CONTINUOUS PRODUCT DEVELOPMENT AND RESERVES THE RIGHT TO ALTER SPECIFICATIONS WITHOUT PRIOR NOTICE. SPECIFICATIONS AND/OR DIMENSIONS MAY VARY FROM THOSE ILLUSTRATED IN SOME COUNTRIES.